

XZ Floor Level Lifts, TZ Floor Level Tilts & XZT Floor Level Lift & Tilts

Installation, Operation
and Service Manual

Model Number _____

Serial # _____

Date placed in service _____

**IMPORTANT: READ CAREFULLY
BEFORE INSTALLING OR OPERATING LIFT**

Part orders are subject to a \$50 minimum charge.



This manual was current at the time of printing. To obtain the latest, most updated version, please contact Presto Lifts Customer Service Department or go to our website: www.PrestoLifts.com -- you will find a complete list of current owner's manuals to print.

CONTENTS

SECTION 1: Introduction	4
SECTION 2: Safety	4
SECTION 3: Installation	5
A. Inspection	5
B. Installing	5
C. Electricals	6
D. Hydraulics	6
SECTION 4: Operation	7
SECTION 5: Maintenance	8
A. Routine Inspection and Maintenance	8
B. Chocking Procedures.....	8
C. Troubleshooting Maintenance	9
SECTION 6: Service	10
ORDERING REPLACEMENT PARTS	27
RESTOCKING POLICY & RMA POLICY	28 & 29
WARRANTY	30
LIST OF FIGURES:	
Chocking Procedures XZ	Figure 1
Chocking Procedures TZ.....	Figure 2
TZ Pinch Points	Figure 3
XZ Pinch Points.....	Figure 4 & 5
Replacement Parts Table	Figure 6
Hydraulic Parts Layout.....	Figure 7
Electrical Schematic 115 Volt AC, 1 Phase	Figure 8
Electrical Schematic 208-480 Volt, AC 3 Phase.....	Figure 9
Hydraulic Schematic	Figure 10
Electrical Schematic XLT 115	Figure 11
Electrical Schematic XLT 208-48 3 phase	Figure 12
Hydraulic Schematic XLT	Figure 13
Replacement Parts for XLT	Figure 14
XZT HPU mounted on stand.....	Figure 15
Hydraulic Parts Layout.....	Figure 16a & 16b
XLT with Up/Down Alarm Pedestal Control	Figure 17

SECTION 1

INTRODUCTION

The Presto XZ and TZ Series Lift models are designed for lifting and/or tilting and positioning a wide variety of loads. Each lift is provided with an entrance ramp allowing easy access to the lift and also acts as a safety toe bar for the operator during the lowering cycle. The XZ and TZ Series Lifts are designed for indoor non-hazardous location use.

This manual provides information necessary for the safe and proper installation, operation and maintenance of these lifts. It is important that this manual be read by all personnel involved with the installation, maintenance or operation of the scissor lift. Where unique situations arise, which are not covered in this manual, contact Presto Lifts, Inc. for further instructions. Additional manuals are available upon request.

The floor level lifts have a nameplate that provides the load capacity ratings, serial number and model identification. Please refer to these numbers when ordering parts or requesting further information.

CAUTION!

Hazard or unsafe practice possibly resulting in personal injury or property damage.

SECTION 2

SAFETY

The XZ and TZ Series lifts are very powerful lifts capable of doing large amounts of work. They are hydraulically actuated and capable of causing serious injury or damage if adequate precautions are not taken. **DO NOT INSTALL OR OPERATE THESE LIFTS WITHOUT CAREFULLY READING THIS MANUAL.** Presto Lifts, Inc. has identified certain hazards which may occur during the installation, maintenance and use of these lifts.

The TZ Lifts are serviced or repaired in the collapsed position. The XZ lifts are serviced in a raised position supported by safety devices. When the maintenance is performed properly according to Sections 5 and 6, it will greatly reduce the possibility of injury. Both the XZ and TZ lifts have hydraulic safety fuses attached to each cylinder. These will prevent the lifts from lowering in the event of a catastrophic hydraulic pump or line failure.

DANGER – Immediate hazard that will result in severe personal injury or death.

WARNING – Hazard or unsafe practice that could result in severe personal injury or death.

CAUTION – hazard or unsafe practice that could result in minor personal injury or property damage.

In the interest of safety, please read the entire manual carefully. You must understand the material in this manual before you install, use, or service the unit. If you have any question about any of the instructions in this manual, please contact Presto Lifts Inc. at 1-800-343-9322.

WARNING!

Do not perform any repair work on a lift in a fully extended position.

All personnel must stand clear of the lift when the lift is in motion.

Do not put hands or feet under lift.

Do not work under lift without securing it first with proper maintenance devices.

Do not stand, sit or climb on the lift at any time.

Do not use the lift on soft, uneven or unstable surfaces.

Do not exceed the load capacity rating on the data plate.

Do not place a load on a moving lift.

Place a load in the center of the lift and be sure that the load is secured properly.

SECTION 3 **INSTALLATION**

A. INSPECTION:

Inspect the lift completely to determine if there is any damage that occurred during shipment and that the lift is complete. Do not use the lift if there appears to be any damage. Check the following with the lift in the collapsed position:

1. Check for signs of damage to the electrical and hydraulic components of the remote power pack. Check the hydraulic hoses going to the lift and the hydraulic components on the lift.
2. Check all connections for tightness. Check for visible hydraulic fluid around all components of the lift and power pack or on the floor nearby.
3. Check base frames for flatness and for bent or damaged metal parts.
4. Inspect the lifting eyes making sure they are completely threaded into the nuts provided on the lift and the locking nut is secured.

B. INSTALLING:

Make sure that the electrical system is wired correctly and that there is full compliance with the local electrical codes and ordinances.

WARNING!

These lifts require bolting to the floor before operation.

1. Floor Installation
 - a. Make sure that the floor in the installation area is flat, stable, relatively smooth and free from dirt, obstacles or surface defects.
 - b. Place the lift in the exact operating position using a sling attached to all four lifting eyes.

CAUTION!

When moving the lift never ever attempt to pick it up by the corners or the base. The lift should be picked up only by the lifting eyes. The use of a spreader strap/sling is suggested. Be sure that the eye bolts are secured in place with locking nuts prior to lifting.

- c. Make sure that the complete base of the lift is in contact with the floor. In order to provide complete contact with the floor, the base may be shimmed or grouted.

CAUTION!

Do not spot shim. The complete base must be in contact with the floor. Shim to have continuous contact of base and floor.

- d. The lift is provided with lag plates or brackets. Place the lift in the exact operating position before spotting or drilling holes for the bolts. Bolt the lift securely using at least four (4) large bolts with a minimum of 2,000 lb. Pull out strength per bolt.
- e. All XZ and TZ lifts have a remote power pack that is hydraulically connected to the lift at the factory. Be sure all hydraulic reconnections are made according to the information contained in Section 3; paragraph D3.
- f. Electrical connections must be made according to the electrical schematics and information contained in Section 3C, and in compliance with local codes and ordinances.

C. ELECTRICALS:

1. The motors on the XZ and TZ power pack are intermittent duty motors with high pull up torque.

CAUTION!

All wiring must conform to local code and must be performed by licensed electricians. The standard AC single phase motor requires a 120 volt 20 amp fused outlet, do not remove or replace the plug or cord set provided. Do not use an extension cord.

2. The following chart recommends the power source for various motors supplied with the XZ and TZ lifts:

AC Motor Size	Fuse	Breaker
1HP 120 Volt 1 PH	20 AMP	20 AMP
1HP 240 Volt 1 PH	15 AMP	15 AMP
1-1/2 HP 20S-240 Volt 3 PH	15 AMP	10 AMP
1-1/2 HP 460 Volt 3 PH	7-1/2 AMP	5 AMP

3. Wiring schematics for motors:

See Figure 8 for 115 Volts 1 PH

See Figure 9 for 208-480 Volts 3 PH

WARNING!

Do not tamper with or remove the cover for the electrical junction box. Only authorized qualified personnel are allowed to service the electrical system.

WARNING!

Failure to make electrical connections according to nameplate ratings and wiring diagrams may lead to pump and motor failure. The 3 phase motor direction is most critical. The pumps can not be run backwards or in reverse for more than three (3) seconds. If lift does not rise immediately. STOP. Inspect connections for correct wiring and polarity.

D. HYDRAULICS:

1. Before using the lift, check the hydraulic oil level and add oil if necessary. Check fittings for tightness. Remove the solid plug on the reservoir and replace it

with the vented plug provided. If the vented plug is not installed, you may damage the pump. Note: If the vented plug is not available, remove the solid plug and drill a 1/8" diameter hole through the center of the plug. Replace the plug.

2. Use hydraulic oil only for the lift. The lift has been supplied with Conoco Super Hydraulic 32. Use only the recommended oils listed in the hydraulic schematic located in the rear of this manual in Figure 10.

WARNING!

Do not use automotive hydraulic brake or transmission fluids. They will destroy the pump and cylinder seals. They pose a serious fire hazard.

3. External power pack units are shipped connected. If disconnection is required during installations, the lines must be blown out and bled prior to being reconnected.

CAUTION!

The XZ and TZ lifts are designed for normal factory environments. Where below freezing temperatures sometimes exist, special oils must be used. Contact Presto Lifts, Inc. for information and recommendations when freezing conditions exist.

E. TESTING THE LIFT WITH NO LOAD:

1. Before testing the lift, clear the area of any loose material. Be sure the lift has no obstructions above it or on any side. Briefly operate the lift for 2-5 seconds. If the lift begins to rise with a humming sound and functions properly, continue to the full upright position.

WARNING!

If the lift does not rise immediately or there is any operational problem, stop it. Before continuing, check the rotation of the motor and the voltage at motor terminals. Again, briefly operate the lift. If the lift does not move smoothly with the humming sound, stop and review the procedures in Section 5C, Troubleshooting Maintenance.

SECTION 4

OPERATION

A. METHOD OF OPERATION:

All XZ and TZ lifts are provided with a relief valve and are factory preset to the maximum safe load capacity of the lift. Activating and holding the upswitch will energize the motor. The motor is attached to a positive displacement pump which draws hydraulic fluid from the reservoir and transfers it under pressure to the cylinders. This forces the ram forward and raises or tilts the platform. Releasing the up switch will stop the lift. A check valve built into the pump holds the lift in position. Depressing and holding the down switch of the switch will energize a solenoid which allows the oil from the cylinder to return to the reservoir through a pressure flow control valve and the pump. This allows the lift to lower smoothly and at a controlled factory preset speed.

WARNING!

Do not maintain the switches energized if the lift does not move or has reached its up or down limits. This may cause damage to the motor, pump and controls.

B. OPERATION PROCEDURES:

In order to operate the lift, follow these operating procedures:

1. Read and understand all the instructions before operating. If the lift has modifications or accessories, read and understand their functions. Review Section 3E and Pinch Points figures 3, or 4 and 5.
2. Load the lift correctly.
 - a. Do not exceed the maximum rated load capacity.
The load capacity is marked on the data plate on the left.
 - b. Place the load in the center and at the very back of the platform.
 - c. If the load is unstable or may become unstable, fasten it into position.
 - d. Use additional precautions when tilting a load of loose parts of the TZ lift. Excessive tilting can cause parts to roll out.

3. Operate the lift.
 - a. To raise the lift, press and hold the up switch.
 - b. To lower the lift, press the down switch.
 - c. Release the switch to stop the lift in either direction.
4. Wait until the lift has come to a complete stop before loading or unloading.
5. All people and unrelated objects must stand clear of the lift when operating in order to avoid personal injury or property damage.

WARNING!

- a. **Do not load or unload a moving lift.**
- b. **Stop immediately if the lift fails to move or exhibits strange movements or sound. Do not continue to operate the lift until it has been checked and repaired.**
- c. **When operating the lift, stand clear of the scissor legs and the platform.**
- d. **Obey all warning labels.**
- e. **Do not stand near the tilting side when tilting containers with loose parts. Parts may fall out of the container and could harm the operator.**

SECTION 5

MAINTENANCE

Generally, the XZ and TZ Series Lifts will require little maintenance. However, routine maintenance and inspection will minimize cost of repairs and hazardous conditions.

DANGER!

Before servicing the lifts, read and understand this complete manual.

Never put any part of your body under the lift or service the lift with a load on the platform. If possible, service the lift in a down position.

A. ROUTINE MAINTENANCE:

All routine maintenance should be performed monthly and can be performed in a lowered position. Before performing any maintenance, shut the power off and disconnect switches using lockout/tagout procedures. Perform the routine listed checks in 1a-1g.

WARNING!

Safety Chocks and/or safety pins must be installed on the lift while maintenance is being performed on the lift if it is in a partially raised position. Follow chocking procedures in Section 5B. These chocks and/or pins are provided and are attached to the lift. Contact Presto Lifts, Inc. for the recommended parts, if yellow safety chocks are not available.

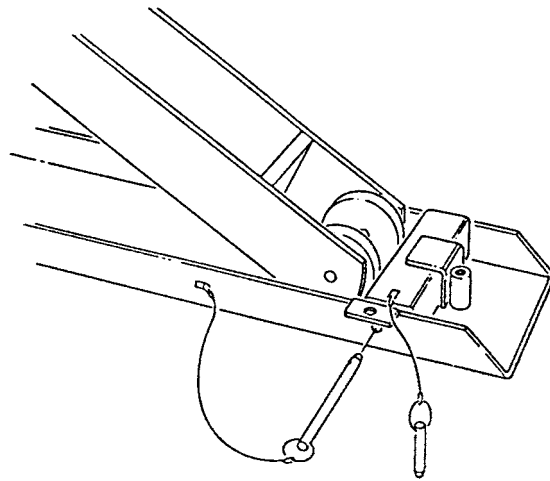
1. Inspect the following:
 - a. Check the reservoir oil level and add correct oil according to Figure 10, if necessary.
 - b. Check the rollers for sign of wear. Replace if damaged.
 - c. Check snap ring and shield on rollers. Replace if damaged.
 - d. Check hydraulic lines for damage or leaking. Replace if damaged.
 - e. Check for oil spots on the floor. Trace the leak to the proper fitting and tighten or replace.
 - f. Check wiring for damage. Replace immediately if any signs of wear are evident.

- g. Bearings on all lifts are permanently lubricated and require no servicing. Do not oil these bearings.

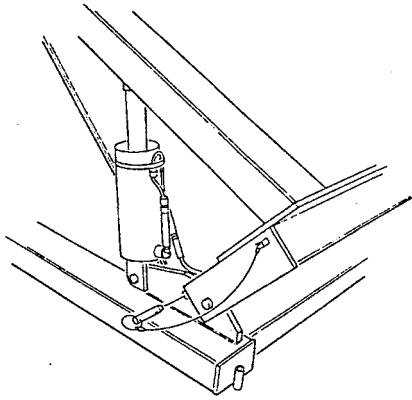
B. CHOCKING PROCEDURES:

1. Raise the lift to its maximum height.

NOTE: XZ Prior to 2005



2. Using only the chock assembly provided, place the square tubing in the wheel tray sideways and adjacent to the welded long lifting eye nut.
3. Insert the pin which is secured to the lift through the holes provided in the wheel tray. Be sure the pin enters both holes and through the center of the tubing.
4. Lower the lift until the wheels come in contact with the chock and hold the “down” button for another 2 seconds.
5. Perform routine maintenance according to Section 5A.
6. Raise lift, remove and replace chock to its straight position.



1. Raise the empty lift to its maximum height.
2. Using only the safety chock pin provided, insert the pin in the hole in the pivot block.
3. Be sure the pin extends through the block 1/2" beyond the pivot block.

C. TROUBLESHOOTING MAINTENANCE:

All servicing should be done by qualified personnel who have read and understand all of the information provided in the Operating, Installation and Maintenance sections of this manual.

LIFT WILL NOT MOVE

1. Lift will not raise or tilt:
 - a. Check the power switch, fuses, overloads and breaker.
 - b. Check the voltage at motor; motor may have failed.
2. Operational noises, erratic or noisy performance.
 - a. Lift may be overloaded or jammed. Check load weights and obstructions (see nameplate for capacity).
 - b. Motor (3 phase) single phasing. Check voltage at motor terminals.
 - c. Motor (3 phase) reversed.
 - d. Motor (1 phase) low voltage. Check voltage at motor terminal.
 - e. Oil shortage: Reservoir low or oil line failure. Repair or replace.
 - f. Down valve open: check wiring for damage. Remove and replace if necessary.

3. Motor overheats:
 - a. Excessive cycle rates (15 cycles per hour max.)
Check actual time in use.
 - b. Low voltage: Check voltage at motors.
 - c. Oil starvation: Check filter in reservoir.

LIFT OPERATING SLOWLY

1. Up cycle:
 - a. Oil starvation: Check filter in reservoir. Check for pinched hydraulic lines.
 - b. Oil viscosity: Oil is too heavy or too thin.
 - c. Air in cylinder: Cycle lift with no load, 2 or 3 times and depress the "up" switch for 5 seconds after reaching maximum height on each cycle.
2. Down Cycle:
 - a. Down solenoid valve filter dirty: Remove and clean.
 - b. Check oil condition: Replace if dirty.
 - c. Oil viscosity is too heavy: Replace.
3. Lift raises, then slowly lowers without power:
 - a. Leaking hydraulic lines or fittings: Check for tell-tale oil spots.
 - b. Pump check valve in pump may be inoperative: Pump must be replaced.
4. Lift will not lower when energized:
 - a. Down solenoid faulty: Check voltage; may be low or wrong voltage for coil or coil may be wrong voltage for secondary voltage.
 - b. Check continuity of coil: Could be burned out.

SECTION 6

SERVICE

A. ORDERING REPLACEMENT PARTS:

1. Standard replacement parts for each lift are provided by part number and lift models, see Figure 6.
2. All key parts are identified and must be replaced with original equipment components.
3. The warranty is void where original equipment components are not used.
4. Be sure to have the serial number and the model number of the lift available when you are requesting replacement parts.

B. REPLACING CYLINDER SEALS:

1. Raise the lift. Chock the lift with safety chocks provided and secure per Section 5B.
2. Disconnect the electrical power.

3. Disconnect the hydraulic hose from the cylinder and cap the line to prevent hydraulic fluid loss.

4. Remove the cylinder pin by loosening the set screws holding the pin. Remove the bolt holding the cylinder base.

5. Lift the cylinder out of the lift.

CAUTION!

Hold the cylinder securely when removing the pins to prevent it from falling to the floor and being damaged.

6. Clamp cylinder securely at the base end.

7. Completely collapse cylinder piston.

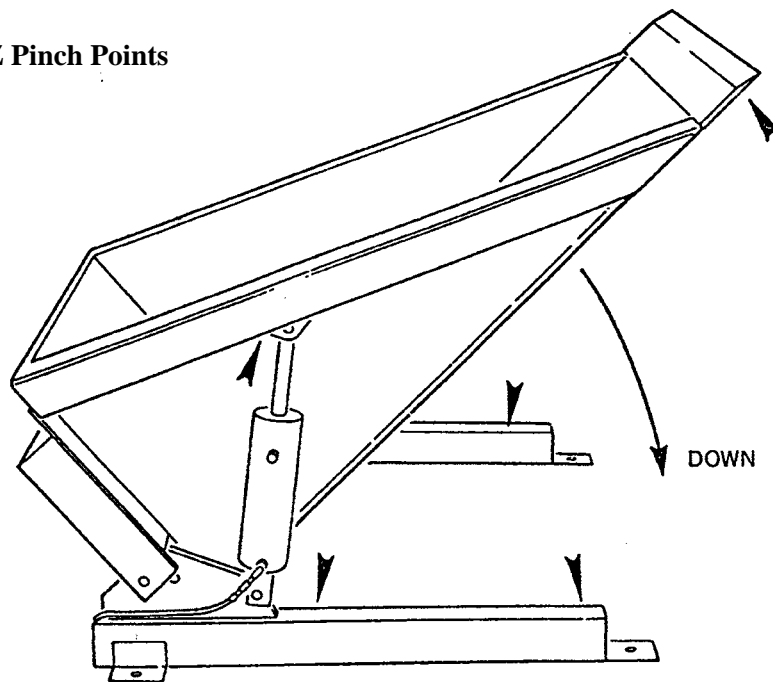
8. Push gland into the cylinder 1/8" – 3/16".

9. Remove retainer ring.

10. Remove piston ram, piston and gland from cylinder.

11. Remove ram nut, piston and gland.

FIGURE 3: TZ Pinch Points



12. Remove and replace seals and wipers.
13. Assemble piston and gland to piston ram.
14. Assemble ram nut to piston ram and torque to 100 ft/lb.
15. Lubricate piston and seals and install cylinder.
16. Insert retainer ring.
17. Install cylinder and hydraulic lines.
18. Fill reservoir.
19. Cycle lift up and down a few inches, remove

chocks, cycle lift 2-3 times and recheck oil reservoir for oil level.

C. REPLACING LEG ROLLERS ON XZ LIFT:

1. Raise the lift. Chock lift with safety chocks provided and secure per Section 5B.
2. Disconnect the electrical power.
3. Replace one roller at a time by removing retainer clips, shields and roller. Clean and do not lubricate axle. Replace with new rollers, shields and clips.
4. Raise lift and remove chocks. Cycle lift 2-3 times and check shields and clips prior to returning to service.

FIGURE 4: XZ Pinch Points, UP

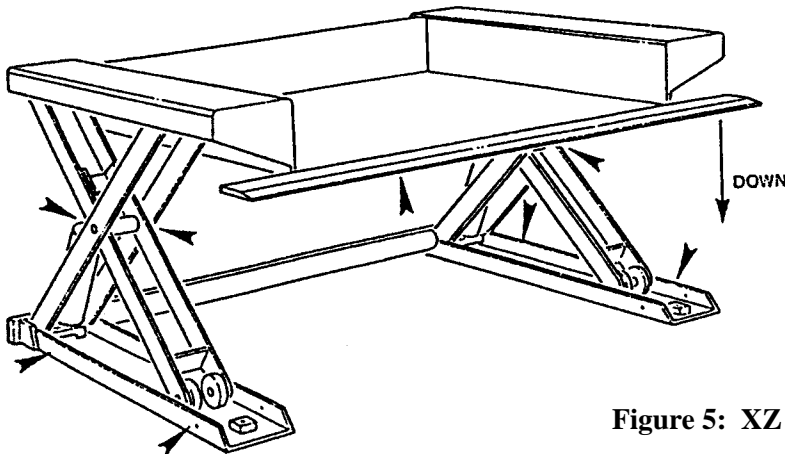
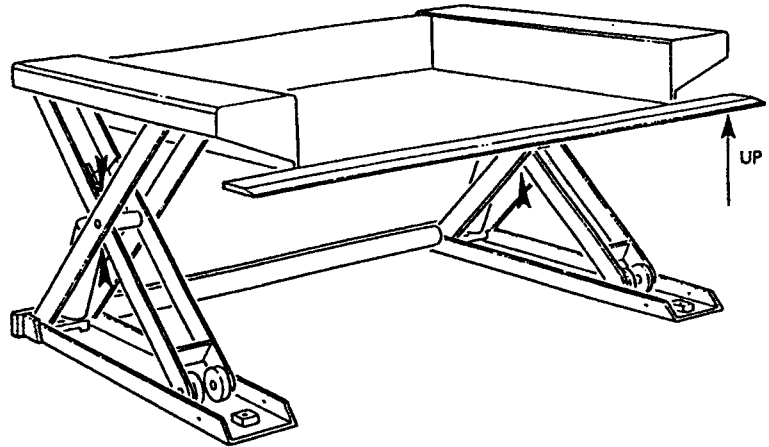


Figure 5: XZ Pinch Points, DOWN

NOTE

XZ Parts list is for machines manufactured prior to 2005; up to and including serial no. V14219. For XZ machines built after 1/1/05; serial no. V14960 and greater, contact Presto parts with the serial number of your machine.

Figure 6: Replacement Parts – TZ

ITEM	DESCRIPTION OF PART	PART NUMBER	QUANTITY PER LIFT	LIFT MODEL
1	Hi Pressure Hose 38"	1024-066-01VR	2	All
2	Hi Pressure Hose 96"	1024-066-02VR	1	All
3	Lo Pressure Hose 8"	H115-8VR	1	All
4	Hydraulic Safety Fuse	1000-086	2	All
5	Tee Connector	1024-046VR	1	All
6	45 Elbow	H103Y	2	All
7	Steel Tubing, left side	1024-052-01VR	1	XZ
7	Steel Tubing, left side	1024-062-02VR	1	TZ
8	Steel Tubing, right side	1024-062-01VR	1	XZ
8	Steel Tubing, right side	1024-052-02VR	1	TZ
9	Flow Control	B211RC-A	1	All
10	Elbow, Swivel	H103S	1	All
11	Elbow	H103Z	2	All
12	Push On Fitting	H103K	2	All
13	Elbow	H103N	1	All
14	Pump 1GPM	1000-034-10	1	All
14	Pump 2 GPM OEM Option	1000-034-20	1	All
15	Filter	1000-046-01	1	All
16	Hose Clamp	1024-051	2	All
17	Reservoir Plug	N1215	1	All
18	Cylinder Vent	1001-092-08	2	All
19 & 20	Cylinder	1024-060	2	All
19 & 20	Cylinder	1025-011	2	TZ
23	Motor, 1 Phase (Only Baldor)	E255R	1	All
23	Motor, 3 Phase (Only Baldor)	E255t	1	All
24	Reservoir	1025-028VR	1	All

NOTE

XZ Parts list is for machines manufactured prior to 2005; up to and including serial no. V14219. For XZ machines built after 1/1/05; serial no. V14960 and greater, contact Presto parts with the serial number of your machine.

DESCRIPTION OF PART	PART NUMBER	QUANTITY PER LIFT	LIFT MODEL
Cylinder Seal Kit, 3-1/2"	1000-059-01	2	All
Cylinder			
Down Solenoid, 115 Volts	1000-056-01	1	All
Down Solenoid, 24 Volts AC	1000-056-02	1	All
Pump Solenoid Stem	2562033	1	All
Hand Control	E307	1	All
Foot Control	E308-E36	1	All
Toe Guard, 64"	1025-024-01VR	1	TX, 50
Toe guard, 58"	1025-024-02VR	1	TX, 44
Clevis Pull Pin	1000-236-01	2	TZ

Figure 7: Hydraulic Parts Layout – XZ & TZ

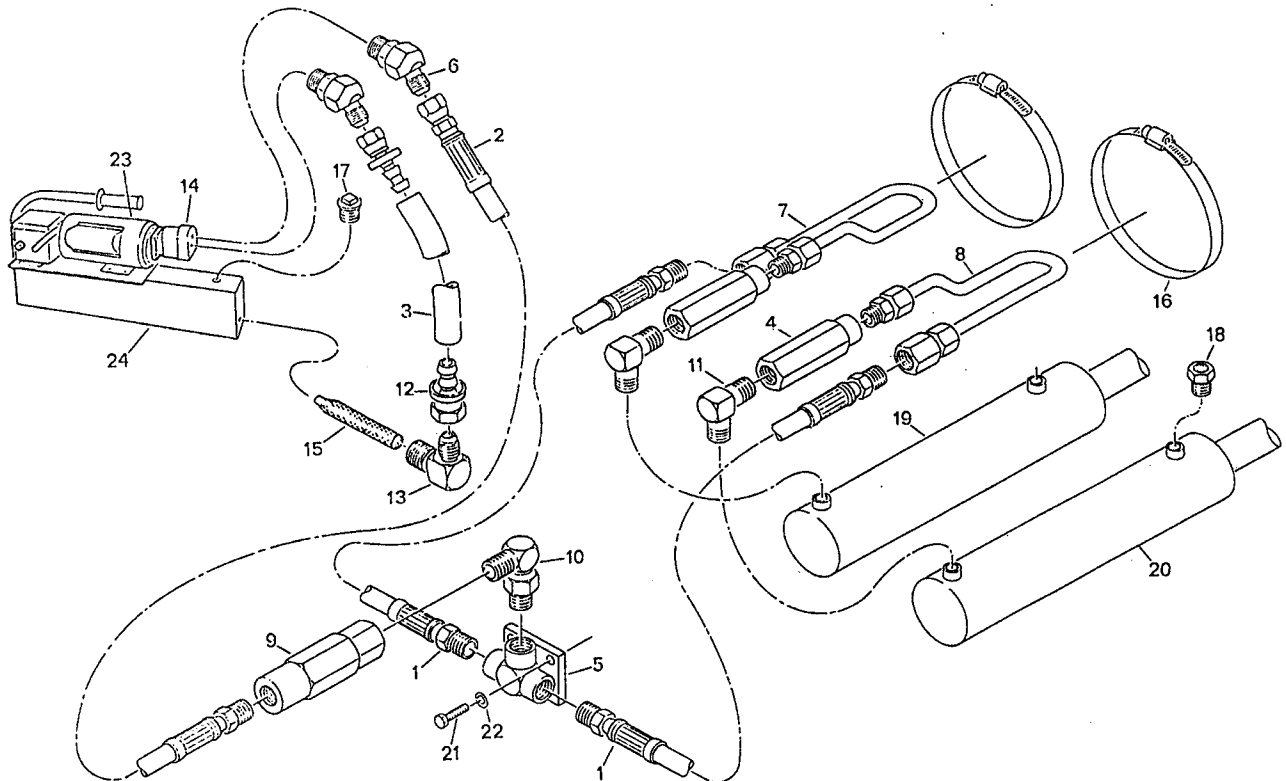


Figure 8: Electrical Schematic 115 Volt AC, 1 Phase XZ & TZ

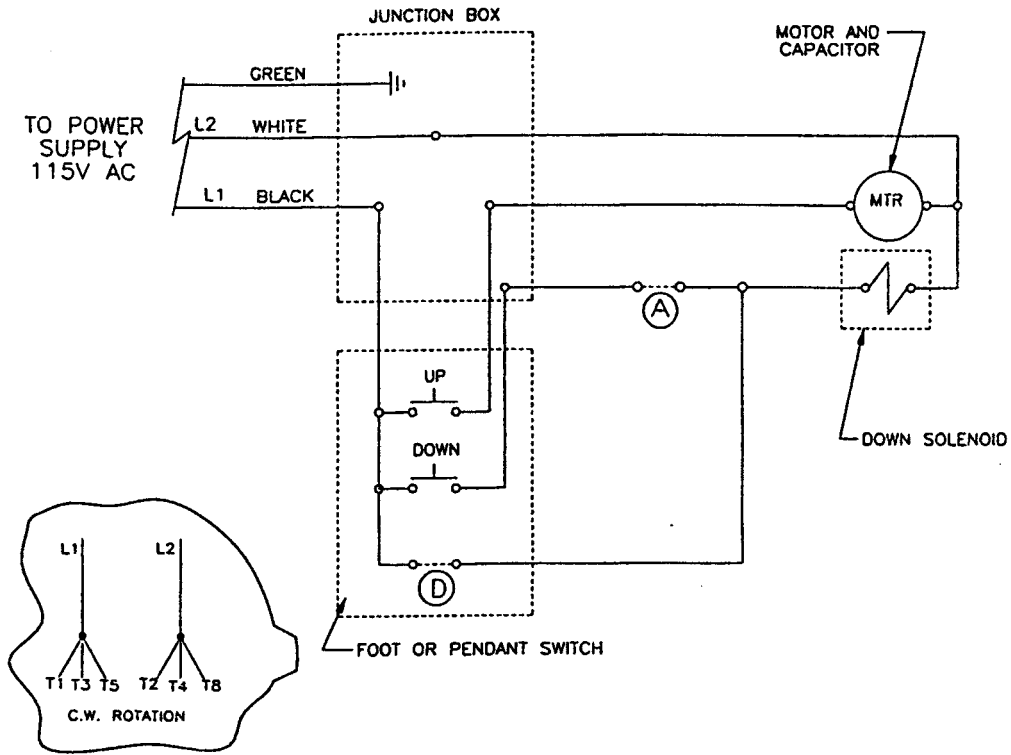


Figure 9: Electrical Schematic 208, 220, 460 Volt AC, 3 Phase ZX & TZ

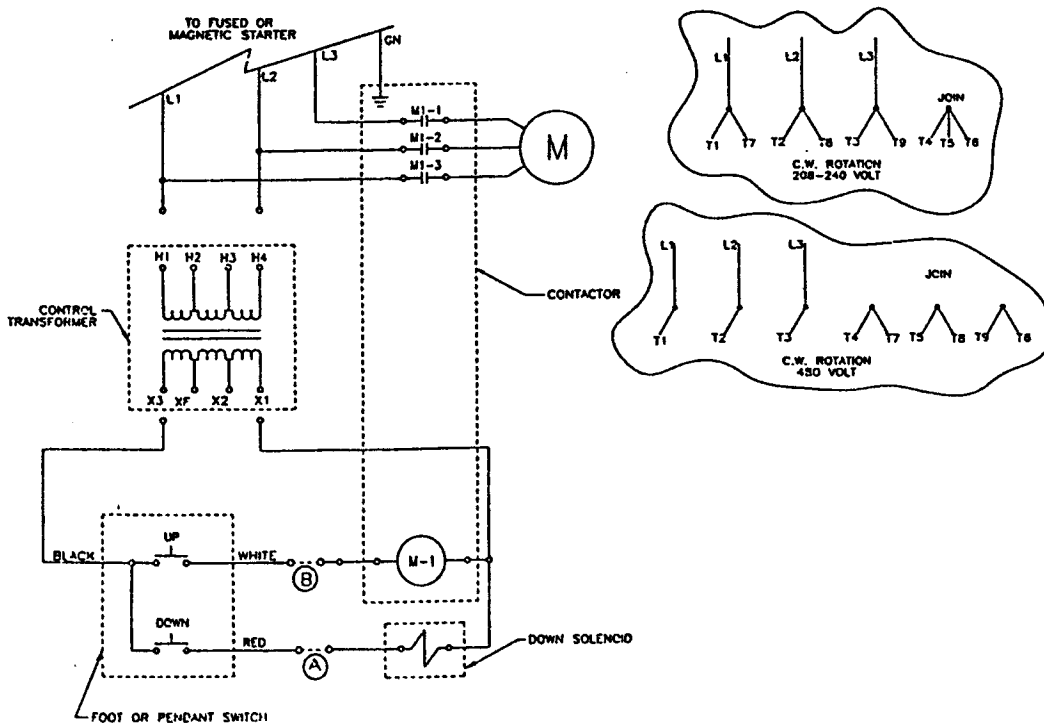
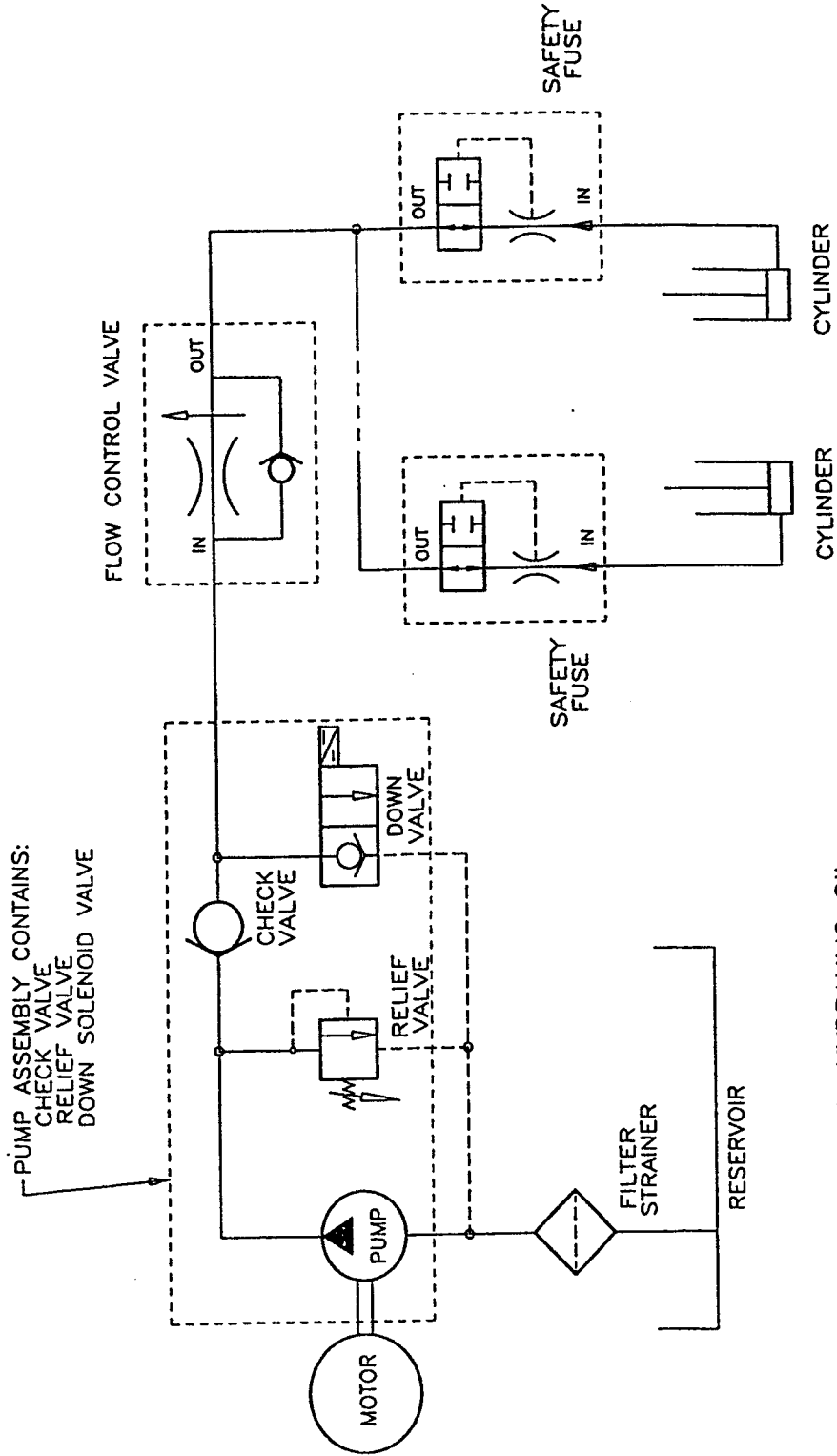
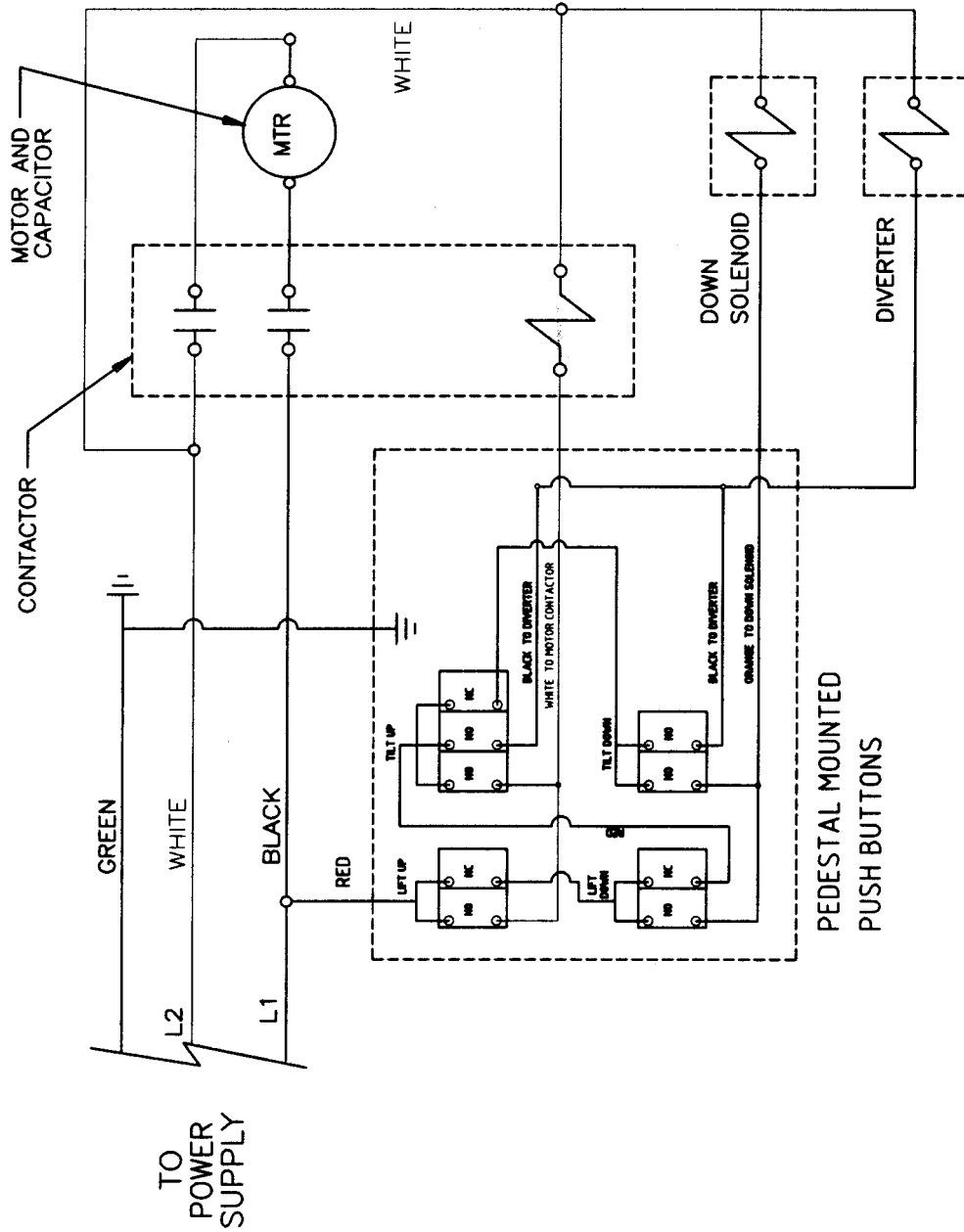


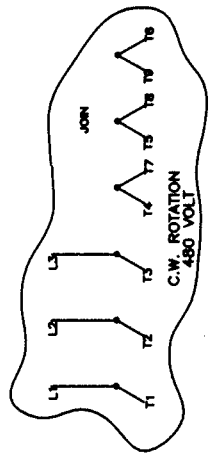
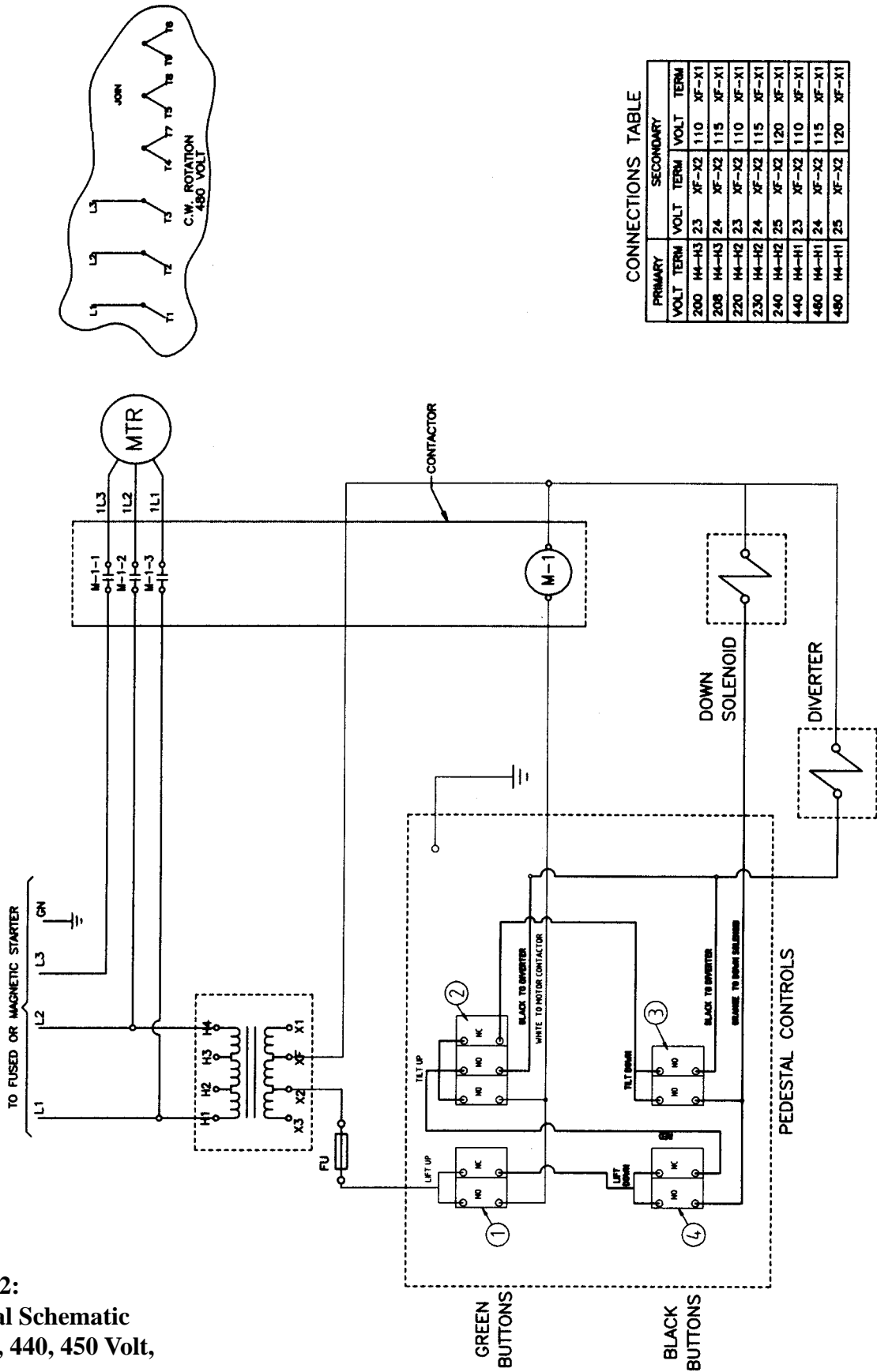
Figure 10: Hydraulic Schematic



USE ONLY PREMIUM HYDRAULIC OIL
 ISO GRADE 46 WHICH HAS,
 RUST & OXIDATION INHIBITORS,
 WITH ANTIWEAR & ANTI-FOAMING AGENT.

Figure 11: Electrical Schematic 115 Volt, AC 1 Phase





CONNECTIONS TABLE

PRIMARY		SECONDARY	
VOLT TERM	VOLT TERM	VOLT TERM	VOLT TERM
200	H4-H3	23	XF-X2
		110	XF-X1
208	H4-H3	24	XF-X2
		115	XF-X1
220	H4-H2	23	XF-X2
		110	XF-X1
230	H4-H2	24	XF-X2
		115	XF-X1
240	H4-H2	25	XF-X2
		120	XF-X1
440	H4-H1	23	XF-X2
		110	XF-X1
460	H4-H1	24	XF-X2
		115	XF-X1
480	H4-H1	25	XF-X2
		120	XF-X1

Figure 12:
Electrical Schematic
 208, 220, 440, 450 Volt,
 3 Phase

Figure 13: XZT Hydraulic Schematic

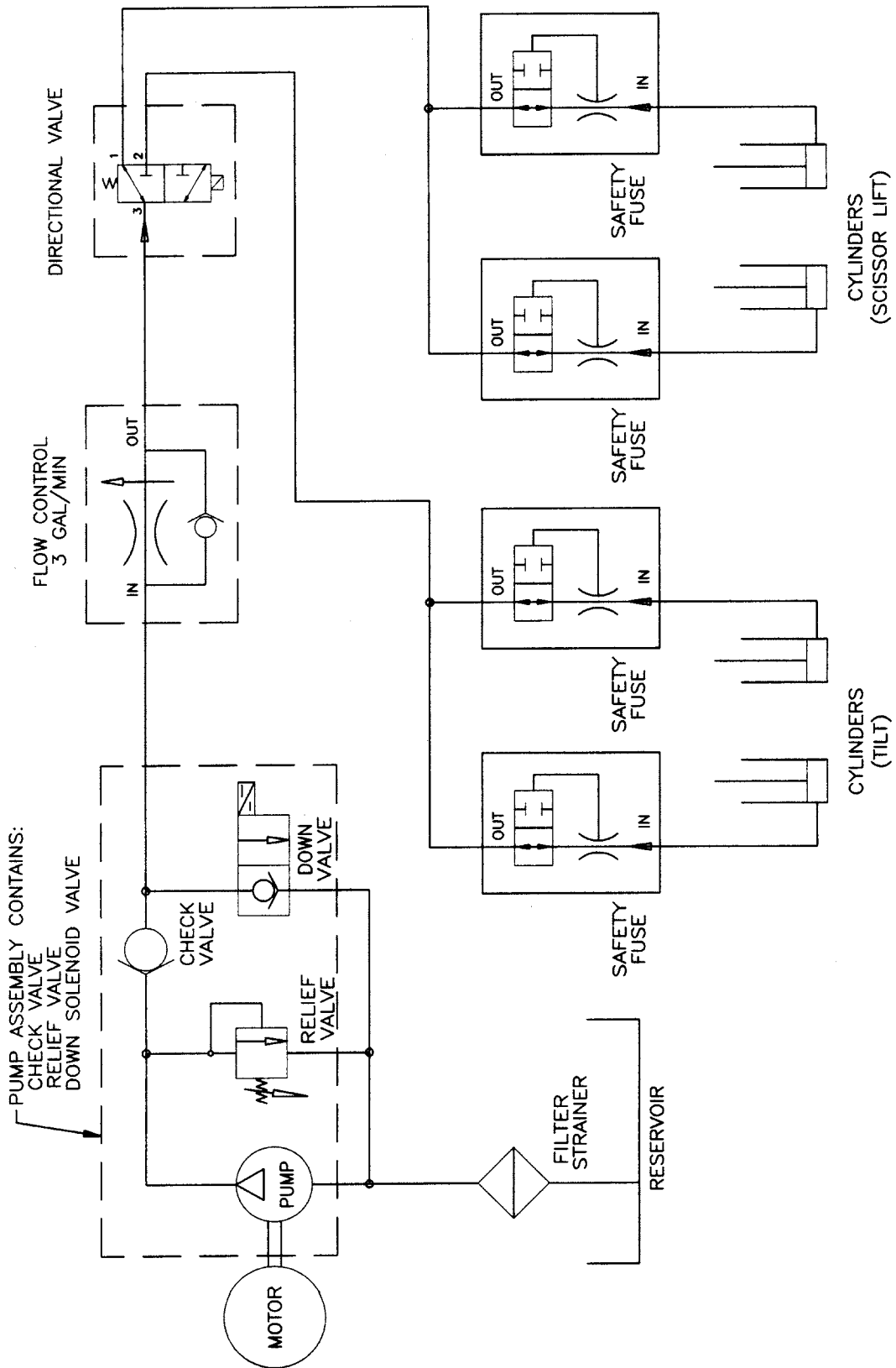


Figure 14: Replacement Parts XZT

DESCRIPTION OF PART	PART NUMBER	QUANTITY PER LIFT	LIFT MODEL
Hi Pressure Hose 38"	1024-066-03VR	2	All
Hi Pressure Hose 96"	1024-066-02VR	1	All
Lo Pressure Hose 8"	H115-8VR	1	All
Hydraulic Safety Fuse	1000-086	2	All
Tee Connector	1024-046VR	1	All
Tee Assembly w/tapped holes	1024-046-01VR	2	XZT
45 Elbow	H103Y	1	All
Steel Tubing, left side	1024-062-01VR	1	XZ
Steel Tubing, left side	1024-062-02VR	1	TZ
Steel Tubing, right side	1024-052-01VR	1	XZ
Steel Tubing, right side	1024-052-02VR	1	TZ
Flow Control	B211RC-A	4	All
Coupler, 1/2 npt Female	H103E	2	XZT
Elbow, Swivel	H103S	1	All
Adapter	H103U	3	XZT
Elbow	H103Z	2	All
Push on Fitting	H103K	2	All
Elbow	H103N	1	All
Pump 1 GPM	1000-034-10	1	All
Pump 2 GPM	1000-034-20	1	All
Filter	1000-046-051	1	All
Hose Clamp	1024-051	2	All
Reservoir Plug	N1215	1	All
Cylinder Vent	1001-092-08	2	All
Cylinder	1024-060	2	XZ
Cylinder	1025-011	2	TZ
Motor, 1 Phase (Only Baldor)	E255R	1	All
Motor, 3 Phase (Only Baldor)	E255T	1	All
Reservoir	1025-028VR	1	All

Figure 14: Replacement Parts XZT continued

DESCRIPTION OF PART	PART NUMBER	QUANTITY PER LIFT	LIFT MODEL
Cylinder Seal Kit, 3-1/2"	1000-059-01	2	All
Cylinder			
Down Solenoid, 115 volts	1000-056-01	1	All
Down Solenoid, 24 volts AC	1000-056-02	1	All
Pump Solenoid Stem	1000-176	1	All
Hand Control	E307	1	All
Foot Control	E308-E36	1	All
Roller Assembly	1016-086	4	All
Toe Guard, 64 "	1025-024-01VR	1	XZ & TZ, 50
Toe Guard, 58 "	1025-024-02VR	1	XZ & TZ, 44
Clevis Pull Pin	1000-236-01	2	XZ & TZ
Safety Chock	1024-098-01VR	2	XZ
Cylinder, Tilt LH	1038-031-01	1	XZT
Cylinder, Tilt RH	1038-031-02	1	XZT
Cylinder Packing Kit	1001-048	2	XZT
Hi Press Hose 33"	1024-066-33VR	2	XZT
Hydraulic Hose 3/8" 144" Lg	1024-140-144VR	1	XZT
Hydraulic Hose 3/8" 35" Lg	1024-140-35VR	1	XZT
Hydraulic Hose 180" Lg	1024-104-01VR	1	XZT
Remote Stand	1000-104-01VR	1	XZT
Control Stanchion w/out controls	1035-070VR	1	XZT

Figure 15: XZT HPU Mounted on Stand

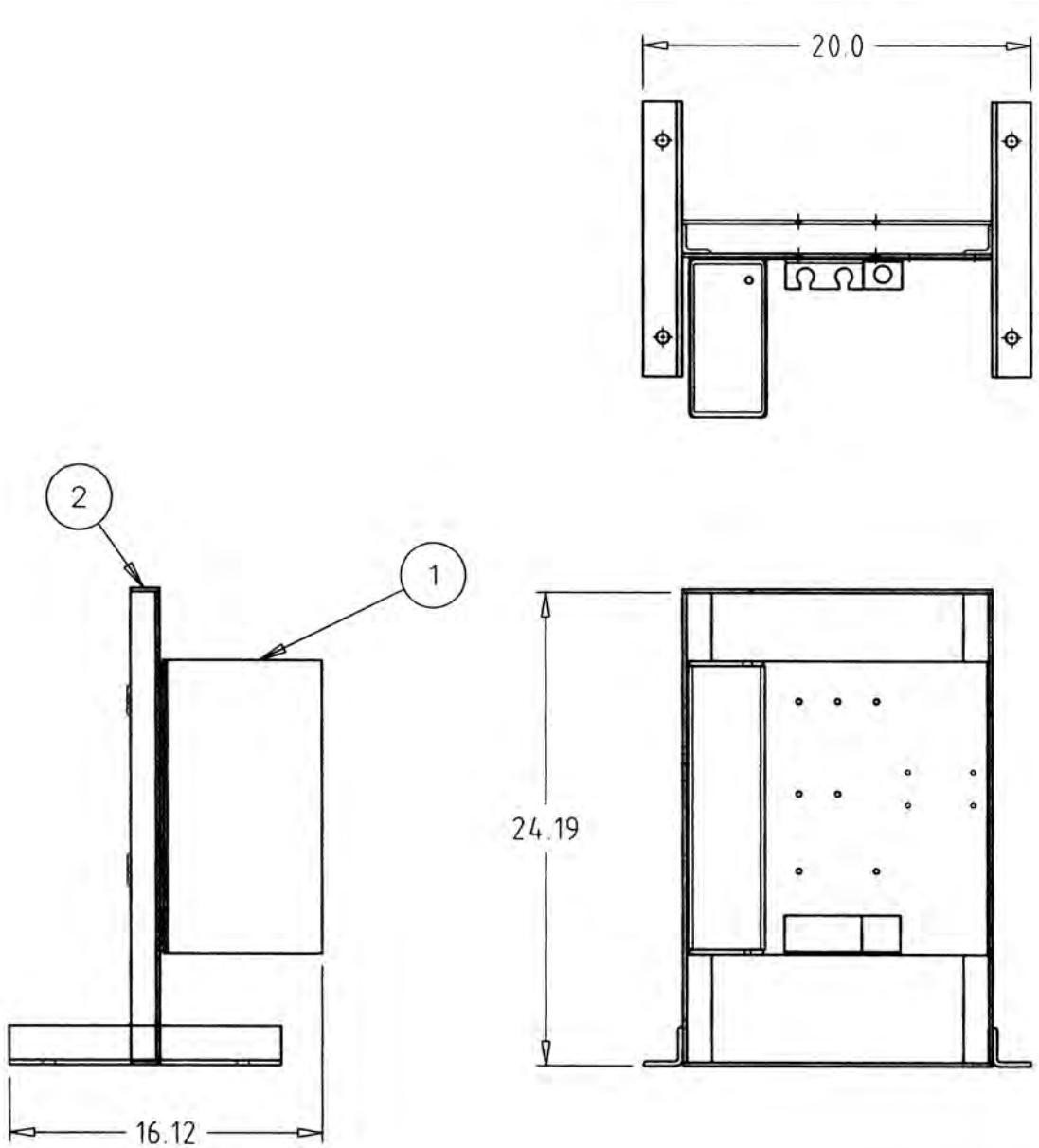


Figure 16a: XZT Hydraulic Parts Layout Front View

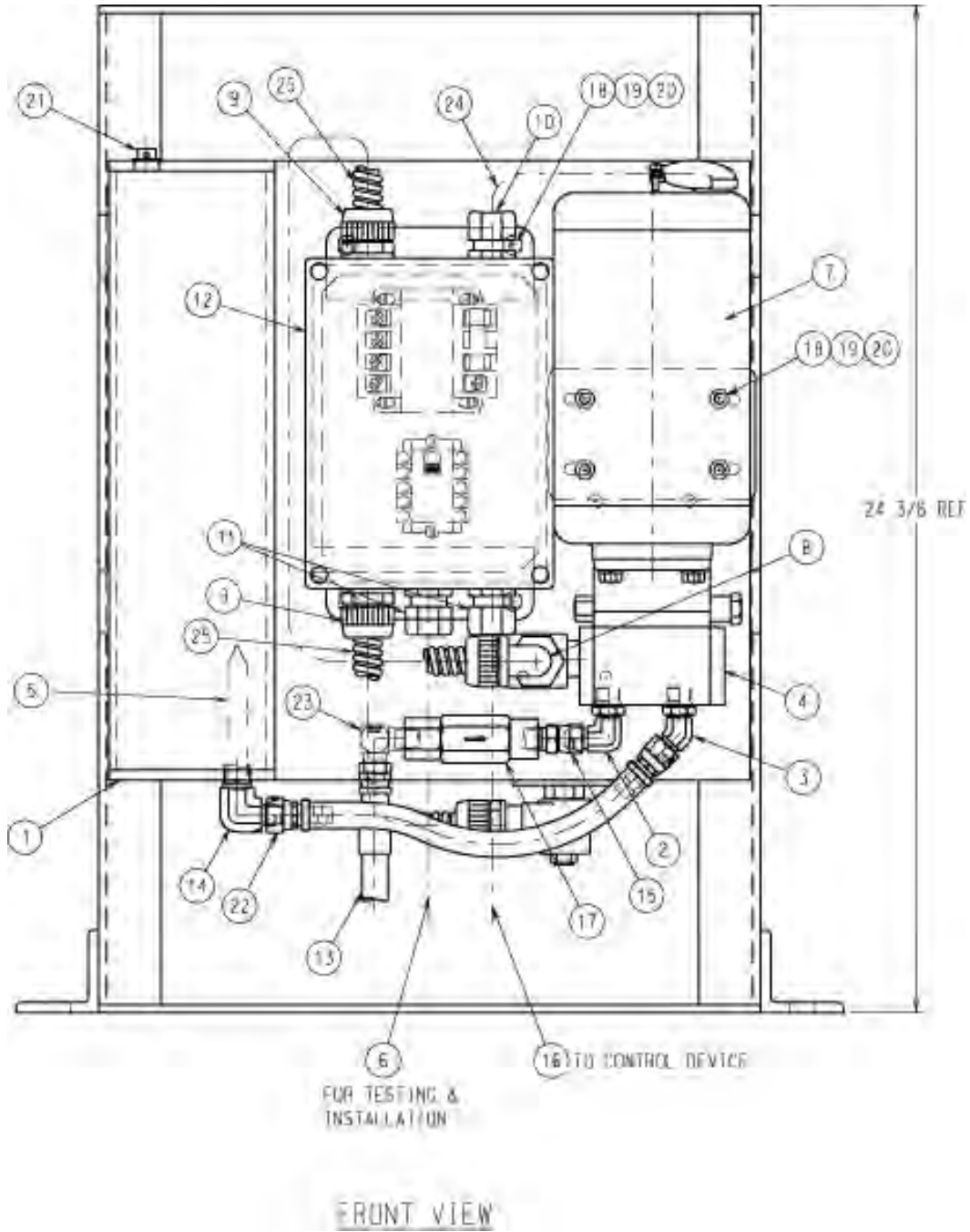
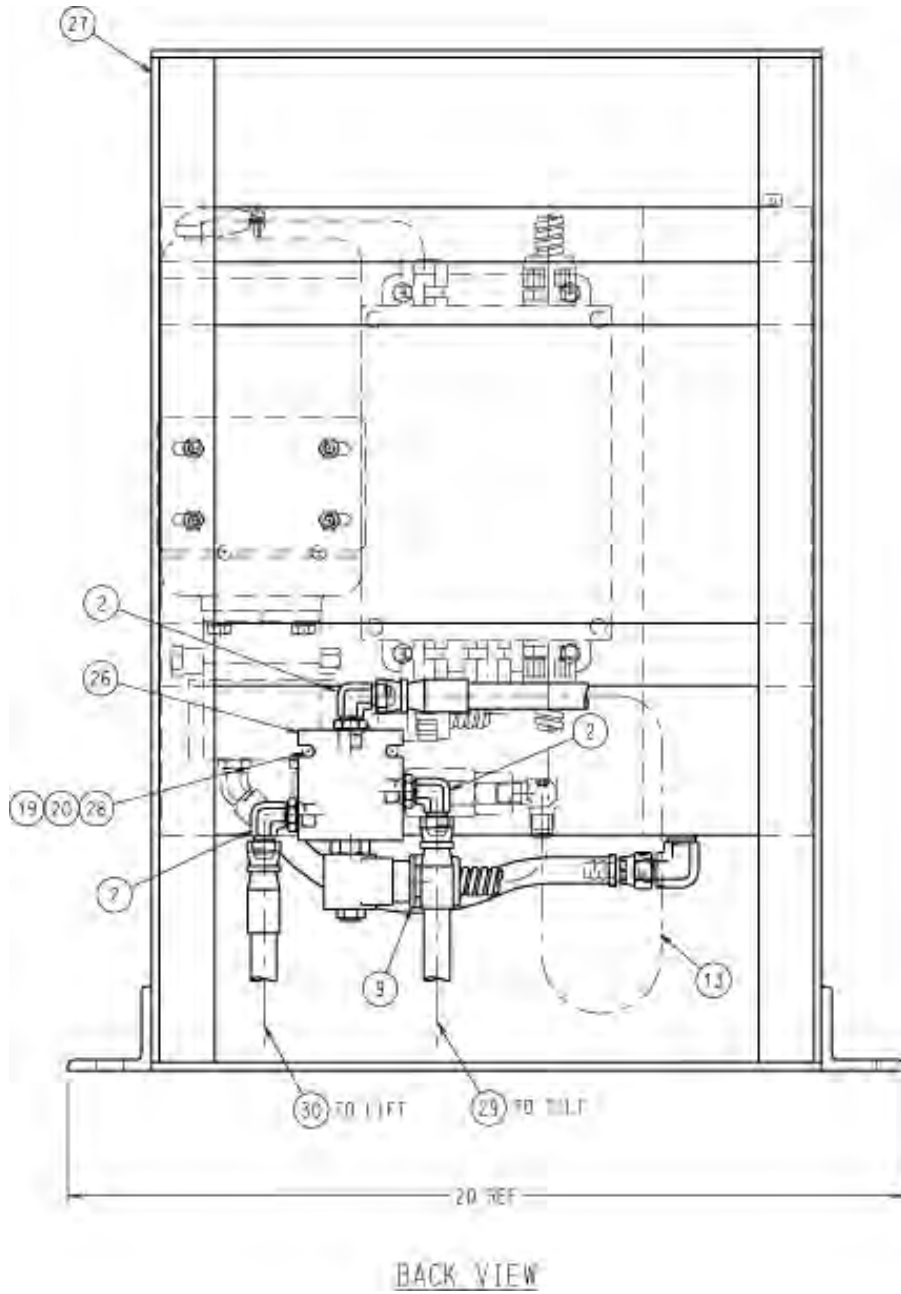


Figure 16b: XZT Hydraulic Parts Layout Back View



XZT Hydraulic Parts List

1	Hy Tank Int	C	80000747	1
2	Hy Ftg Adptr	N	H103M	4
3	Hy Ftg Adptr	N	H1030	1
4	Hy Pump 1 GPM	C	1000-034-10	1
5	Hy Screen	A	1000-046-01	1
6	El Wire	N	E2677RC	2
7	El Mot 1.5HP 3P	C	255T	1
8	Bk-El Ftg Conn		30000004	1
9	Bk-El Ftg Conn		30000002	3
10	El Ftg Strn Rlf	N	E272GY	1
11	Bk-El Ftg Strn Rlf		30000007	2
12	El Ctrl Panel 230/460 115AC N12	B	1000-115-115	1
13	Hy Hose Assy	A	3041472	1
14	Hy Ftg Adptr	A	H103N	1
15	Hy Ftg Adptr	N	H103V	1
16	El Cable		E2678RC	12
17	Hy Vlv Logic	B	B211RC-A	1
18	Ha Screw HHCS Zincpl	N	N0770	8
19	Ha Nut Hex Zincpl	2	N0040	10
20	Ha Wshr Lck-Spt Zincpl	2	N0240	10
21	Ha Plug Vent Caplug	A	30000003	1
22	Hy Hose Assy	A	80000006	1
23	Hy Ftg Adptr		2411026	1
24	Hy Tube Neoprene	N	1001-175	1
25	El Cnd Plytf	N	30000005	3
26	Hy Vlv		30001204	1
27	Sa Remote HPU Stand-XZT WM	C	80000769	2
28	Ha Screw HHCS STL	N	N0810	2
29	Hy Hose Assy	A	80000782	REF
30	Hy Hose Assy	A	80000783	REF
31	El Wiring Diag 208/230/460 AC XF MRB		80000767	REF

Figure 17: XZT with Up/Down Alarm Pedestal Control

ITEM #	P/N	QTY	P/N	QTY	DESCRIPTION
1	E355-01	1	E358	1	BLK PB W/ EXTRA CONTACTOR NO/NO/NC
2	E357G-01	2	E358	2	GRN PB W/ EXTRA CONTACTOR NO/NO/NC
3	E355-02	1	--	--	BLK PB NO/NC
4	E5684 T1 BELL	1	--	--	UP/DOWN ALARM BELL
5	E2678RC-300	12 FT.	--	--	16/5 SJO BLK CONTROL CORD

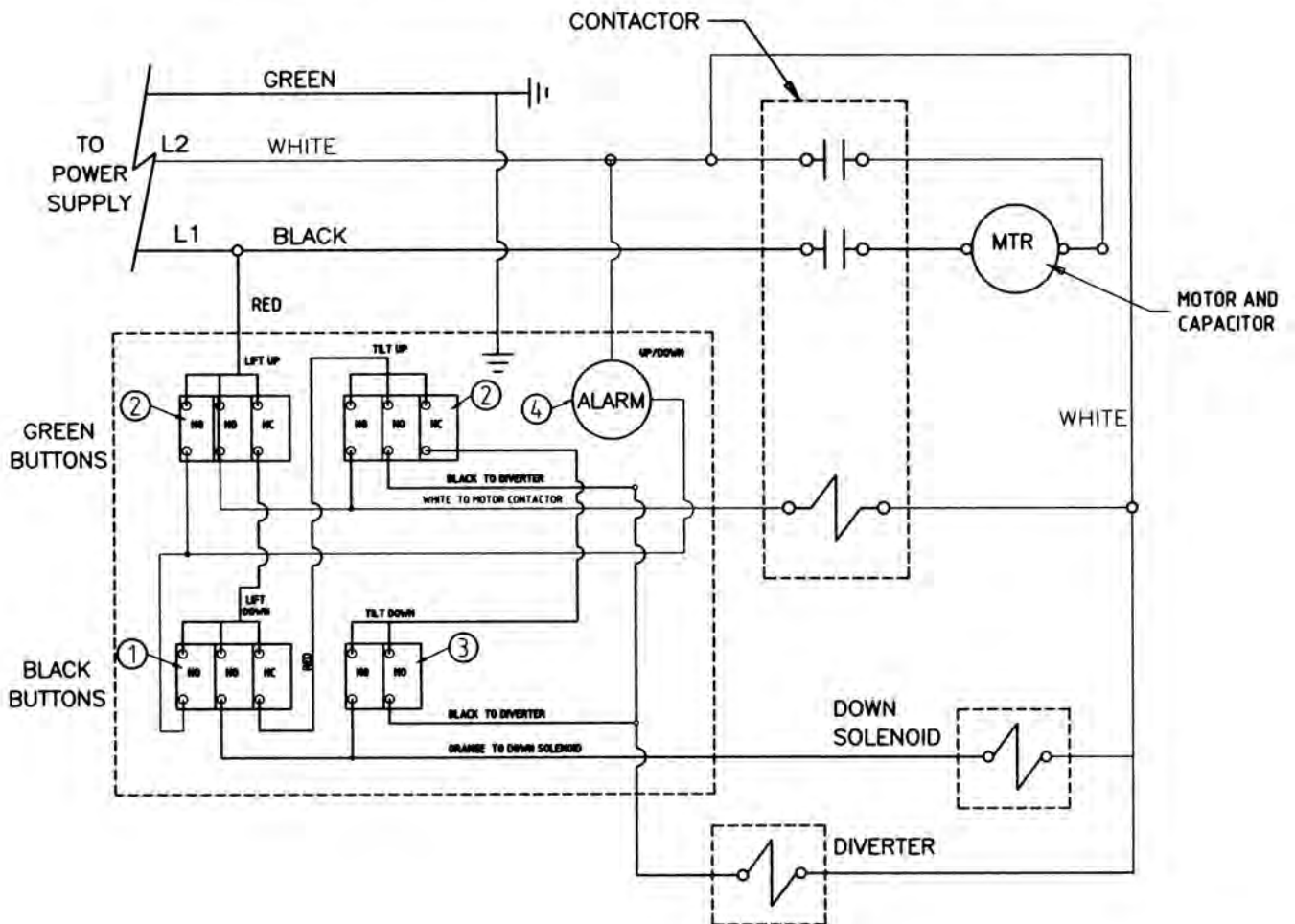


Table 1 – Hydraulic Oil Specifications

If the lift will be used at normal ambient temperatures, Presto Lifts supplies the unit with Conoco Super Hydraulic 32 oil. This may be replaced by any other good quality oil with 150 SSU at 100° F and rust and oxidation inhibitors and anti-wear properties.

If the lift will be used at ambient temperatures below 0°F, use aircraft hydraulic oil. Use Type 15 aircraft hydraulic oil.

The following are equivalent to Conoco Super Hydraulic 32:

TYPE	MANUFACTURER
AW32	CITGO
DTE 24	EXXON/MOBIL
NUTO H32	EXXON/MOBIL
AMOCO AW32	CHEVRON (AMOCO CO.)

CAUTION!

It is very important to keep the hydraulic oil free of dirt, dust, metal chips, water, and other contamination. Most of the problems with hydraulic systems are caused by contamination in the oil.

Ordering Replacement Parts

Presto Lifts has carefully chosen the components in your unit to be the best available for the purpose. Replacement parts should be identical to the original equipment. Presto Lifts will not be responsible for equipment failures resulting from the use of incorrect replacement parts or from unauthorized modifications to the unit.

Presto Lifts can supply all replacement parts for your lift. With your order, please include the model number and the serial number of the unit. You can find these numbers on the name plate. This plate is located within the scissors mechanism.

To order replacement parts, please call the Presto Parts Department. Parts are shipped subject to the following terms:

- FOB factory
- Returns only with the approval of our parts department.
- Credit cards preferred (except parts covered by warranty).
- Freight collect for truck (except parts covered by warranty).
- Freight – prepaid and invoice for small parcel shipments (except parts covered by warranty).

Parts replaced under warranty are on a “charge-credit” basis. We will invoice you when we ship the replacement part, then credit you when you return the worn or damaged part.

Presto Parts Department

21 Park Street
Attleboro, MA 02703

Telephone: 800-343-9322

FAX: 888-788-6496

Email: service@PrestoLifts.com

www.PrestoLifts.com

PARTS

Standard parts may be returned with a 20% restocking fee. Modified or custom-engineered parts are not returnable. Unfortunately, due to potentially concealed damage, all sales of electrical assemblies are final.

QUALITY ISSUES

Should you feel there is a quality problem, please contact the seller to ask questions and gather information on how to rectify the issue. Presto Lift Inc. reserves the right to determine potential credits, as a result of factory defects, based on its inspection of the merchandise.

GENERAL

All products shipped from our factory have passed Quality Assurance inspection and testing. The carrier of choice has signed for, and accepted the product in new working condition. The customer should inspect to ensure it is not received damaged, has no concealed damage or is not incomplete. Parts orders are determined to be complete based upon Presto Lift, Inc. inspection sheets and carrier shipping weights.

RETURN GOODS AUTHORIZATION POLICY

Presto Lifts provides the Return Goods Authorization (RGA) Policy, for specific models, as a courtesy to our distributors in the event they do not receive what they ordered. If a customer wishes to return a Presto Lifts product, please contact the Customer Service Department and request an RGA number. This request must be made on or before the fifteenth calendar day following the date of Presto Lifts' invoice for the merchandise. Not all units are returnable. Quantity orders and special designs cannot be returned under any circumstances. Presto Customer Service reserves the right for final judgment on all product returns.

The RGA number must appear on the outside of any packaging material for a return to be accepted and processed by Presto Lifts. Customers shipping returns from the Continental US, Canada, or Mexico have thirty (30) days from date of RGA issue to have the product arrive at Presto Lifts' facility. All merchandise must arrive Free on Board at Presto Lifts' facility or the shipment will be refused and returned to the sender. All credits are issued less restocking and refurbishing charges, regardless if the merchandise was damaged in transit.

Return addresses: please refer to your RMA for the address to which your product should be returned.

Presto Lift Inc.
715 Highway 77
Manila, Arkansas 72442

Telephone: 800-343-9322
Fax: 888-788-6496

Presto Lifts Limited Warranty Policy

Presto Lifts warrants all of its products against defects in the welded structural frame and, if applicable, scissor legs from faulty material and workmanship for a period of five (5) years from the date of invoice.

All other components have a limited warranty against defects in faulty material and workmanship for a two (2) year period from the date of invoice date of invoice and 30 day limited warranty on labor. Please note that prior authorization from Presto Lifts is required on all warranty work.

There are no implied warranties of any kind, more specifically, there are no warranties of merchantability or fitness for any particular purpose. Presto Lifts' sole warranty shall be as set forth in this limited warranty.

Presto Lifts will elect to repair or replace a defective component without charge, if any components should become defective within the limited warranty period. Proof of purchase is required for warranty. The charge for shipping the defective component is the responsibility of the buyer and must be accompanied with an RGA number. The shipping charge to return the component to the buyer is the responsibility of Presto Lifts, Inc.

This limited warranty does not cover labor expense for removal or reinstallation of components after thirty days. This limited warranty shall not cover, among other things: damages resulting from foreign matter or water, failure to provide reasonable and necessary maintenance, and if applicable, use of product while charger is plugged into an AC outlet, or failure to follow operating instructions. The limited warranty is not valid for damage resulting from negligence, accident, unreasonable use, abuse or misuse, exceeding data plate capacities or altering the product without Presto Lifts authorization.

Presto Lifts expressly disclaims and excludes any liability for consequential, incidental, indirect or punitive damages or financial loss to people or property resulting from any breach of warranty or the operation or failure of this product.

Presto Lifts makes no representation that this product complies with local, state, or federal safety/product standards codes. Should this product fail to comply in any way with those codes, it shall not be considered a defect of materials or workmanship. Presto Lifts shall not be held liable for any damages resulting from noncompliance. It is the dealer's responsibility to exercise this limited warranty. This limited warranty is provided to the original purchaser (defined as the original end user) and is nontransferable. This constitutes the complete and final agreement involving Presto Lifts and limited warranty obligations for products.

MANY NEEDS REQUIRE MANY OPTIONS...

Presto LIFTS



LET PRESTO MEET THOSE NEEDS!

Call Presto Sales
for stock or
customized lift inquiries:
800-343-9322

Email: sales@prestolifts.com

