

**Presto** LIFTS  
worldwide material handling  
and ergonomic solutions

# Power Stak

## PPS3000-125FS



## Installation, Operation and Service Manual

Model Number \_\_\_\_\_

Serial # \_\_\_\_\_

Date Placed in Service \_\_\_\_\_

**IMPORTANT: READ CAREFULLY  
BEFORE INSTALLING OR OPERATING LIFT**

Part orders are subject to a \$50 minimum charge.

MAY 2012



# Presto Lifts Limited Power Stacker Warranty Policy

Presto Lifts warrants the Power Stacker against defects on the mast, fork carriage, chains, pumps, DC motors, controllers, cylinders and wiring harnesses from faulty material and workmanship for a period of one (1) year from the date of invoice.

All wear items such as batteries, wheels, motor brushes, seals, bearings, hydraulic hoses, all switches, battery chargers and forks have a limited warranty against defects in faulty material and workmanship for a ninety (90) day period from the date of invoice and 30 day limited warranty on labor. Please note that prior authorization from Presto Lifts is required on all warranty work.

There are no implied warranties of any kind, more specifically; there are no warranties of merchantability or fitness for any particular purpose. Presto Lifts' sole warranty shall be as set forth in this limited warranty. Presto Lifts will elect to repair or replace a defective component without charge, if any components should become defective within the limited warranty period. Proof of purchase is required for warranty. The charge for shipping the defective component is the responsibility of the buyer and must be accompanied with an RGA number. The shipping charge to return the component to the buyer is the responsibility of Presto Lifts, Inc.

This limited warranty does not cover labor expense for removal or reinstallation of components after thirty days. This limited warranty shall not cover, among other things: damages resulting from foreign matter or water, failure to provide reasonable and necessary maintenance, and if applicable, use of product while charger is plugged into an AC outlet, or failure to follow operating instructions. The limited warranty is not valid for damage resulting from negligence, accident, unreasonable use, abuse or misuse, exceeding data plate capacities or altering the product without Presto Lifts authorization.

Presto Lifts expressly disclaims and excludes any liability for consequential, incidental, indirect or punitive damages or financial loss to people or property resulting from any breach of warranty or the operation or failure of this product.

Presto Lifts makes no representation that this product complies with local, state, or federal safety/product standards codes. Should this product fail to comply in any way with those codes, it shall not be considered a defect of materials or workmanship. Presto Lifts shall not be held liable for any damages resulting from noncompliance. It is the dealer's responsibility to exercise this limited warranty. This limited warranty is provided to the original purchaser (defined as the original end user) and is nontransferable. This constitutes the complete and final agreement involving Presto Lifts and limited warranty obligations for products.

---

This manual was current at the time of printing. To obtain the latest, most updated version, please contact the Customer Service Department or go to our website: [www.PrestoLifts.com](http://www.PrestoLifts.com) -- you will find a complete list of current Owner's Manuals to print.

## TABLE OF CONTENTS

<b>SECTION 1:</b>	
Limited Warranty .....	2
Introduction.....	4
Specifications .....	4
<b>SECTION 2:</b>	
Safety .....	4-5
<b>SECTION 3:</b>	
Installation.....	6
A. Inspection .....	6
B. Removing from Pallet .....	6
C. Preparation for Use.....	6
<b>SECTION 4:</b>	
Operation.....	7-8
A. Operating Instructions.....	7
B. Daily Operations Maintenance Checks .....	8
Suggested Daily Operator Checklist.....	8
<b>SECTION 5:</b>	
Battery Maintenance .....	9
A. Preparing to Charge a Battery .....	9
B. Charging the battery .....	9
C. Warnings and Battery Info .....	9
D. Battery maintenance.....	9
<b>SECTION 6:</b>	
Maintenance.....	10
A. Weekly Operations Maintenance Checks.....	10
B. Monthly Operations Maintenance Checks ..	10
<b>SECTION 7:</b>	
Troubleshooting .....	10
ORDERING REPLACEMENT PARTS .....	26
RESTOCKING POLICY .....	26
RETURN GOODS AUTHORIZATION.....	27

## LIST OF FIGURES:

Fig. 1: Operational Buttons.....	6
Fig. 2: Straddle Leg 4 Bolt Tightening .....	7
Fig. 3: PPS3000-125FS.....	11
Fig. 4: PPS3000-125FS Exploded View.....	12
Fig. 5: PPS3000-125FS Mast Assembly .....	13
Fig. 6: PPS3000-125FS Cabinet Assembly.....	14
Fig. 7: PPS3000-125FS Carriage Assembly .....	15
Fig. 8: PPS3000-125FS Leg Assembly .....	16
Fig. 9: PPS3000-125FS Caster Wheel Assembly .....	17
Fig. 10: PPS3000-125FS Steering Assembly.....	18
Fig. 11: PPS3000-125FS Handle Assembly .....	19
Fig. 12: PPS3000-125FS Drive Wheel Assembly.....	20
Fig. 13: PPS3000-125FS Cylinder Assembly .....	21
Fig. 14: PPS3000-125FS Power Unit Assembly.....	22
Fig. 15: PPS3000-125FS Hydraulic Schematic.....	23
Fig. 16: PPS3000-125FS Labels and Warnings.....	24
Fig. 17: PPS3000-125FS Wiring (Aug. 2011 to present).....	25

# SECTION 1 INTRODUCTION

This manual attempts to provide all of the information necessary for the safe and proper installation, operation and maintenance of Presto Lifts Inc. battery operated, Power Stak. It is important that all personnel involved with the installation, maintenance or operator of the stacker read this manual. Additional manuals are available upon request or at [www.PrestoLifts.com](http://www.PrestoLifts.com).

Each Presto stacker is equipped with nameplate, serial number and model identifications. Please refer to these numbers when ordering parts or requesting further information.

The Presto stackers are designed for lifting, lowering and positioning a wide variety of loads. **WHERE UNIQUE SITUATIONS ARISE, WHICH ARE NOT COVERED IN THIS MANUAL, CALL PRESTO LIFTS FOR FURTHER INSTRUCTIONS.**

The battery operated stackers are designed for in-plant/non-hazardous locations only. They can be used in a 8' or larger aisle. These units are not for personnel lifting.

# SECTION 2 SAFETY

**You must be trained and certified to operate this powered stacker. Federal law states that only properly trained operators are permitted to operate a powered industrial stacker and that your employer must train you and certify that you are qualified. (OSHA 1910.178 29QFR-7-1-06 Edition)**

**Presto lifts does not offer operator training. Operator training programs may be offered by your local Presto Lifts dealer or obtained online. Enter, "powered industrial truck operator training" into a search engine.**

The battery operated stackers are very powerful lifts capable of doing large amounts of work.

**DO NOT OPERATE THESE LIFTS WITHOUT CAREFULLY READING THIS MANUAL.** In order to provide for the safe operation of these stackers, Presto Lifts Inc. has identified certain hazards that may occur during the maintenance and use of these lifts. For safety reasons these units are designed to be serviced or repaired in the fully lowered position. If performed properly, this will greatly reduce the possibility of injury.

## **WARNING!**

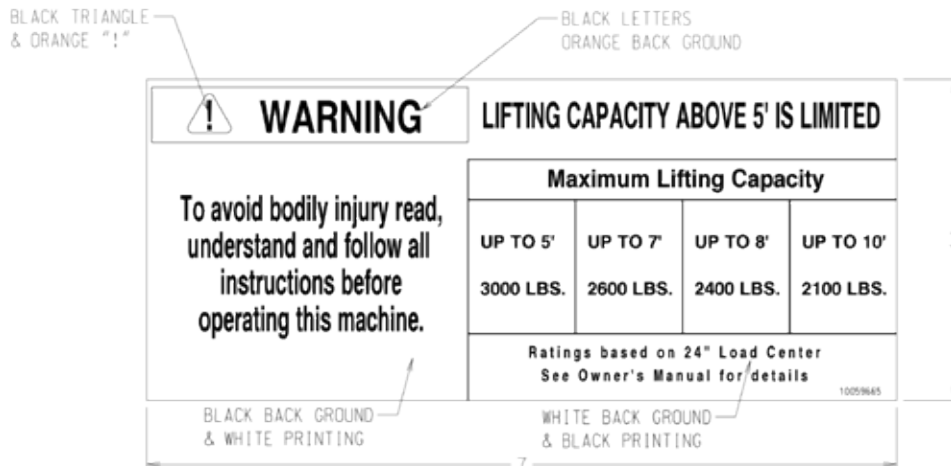
When servicing the unit:

1. Key should be in "OFF" position.
2. E-stop should be depressed.
3. Disconnect the batteries at the terminals.
  - Do not perform any repair work on lifts if there is a load on the forks or platform.
  - Do not perform any repair work if the forks or platform is in the raised position.
  - All personnel must stand clear of the lift while in motion.
  - Do not put hands or feet under the forks or platform.
  - Do not stand underneath the forks or platform.
  - Do not stand in front of the stacker while in motion.
  - Do not stand, sit or climb on the lift.
  - Do not use the lift on soft, uneven or unstable surfaces.
  - Do not exceed the load center or capacity.

## **WARNING!**

**You or others around you can be seriously injured or even killed if you don't use this stacker correctly. Read and obey all warnings and instructions in this manual and on the stacker. It is your responsibility before starting work to make sure it is in good working order.**

Always be alert to the area around you and watch where you are walking. Be careful that you don't get pinned or crushed between the stacker and a fixed object such as a wall or post.



## **SECTION 3**

# **INSTALLATION**

- Watch your hands and feet. A foot or hand caught between the stacker and a fixed object will be crushed or even cut off.
- If traveling forks first, keep both hands on the control handle and be careful when changing direction of travel. Keep your feet clear of the stacker.
- Keep the stacker under control at all times. Operate at a speed that allows you to stop safely. Be even more careful on slippery or uneven surfaces. Do not run over objects on the floor.
- Perform all stacker movements smoothly and at a speed that will give you time to react if an emergency occurs.

Tipovers and falls are very serious accidents; you can be crushed or even killed. To prevent injury, know where you are at all times and follow the rules of safe stacker operation.

- Be careful when working around docks, dockboards and trailers. Stay away from the edge of docks and ramps. Check to make sure the wheels of truck or trailers are chocked.
- Travel with the load or forks close to the ground. Watch for overhead obstructions. Perform all stacker movements smoothly and at a speed that will give you time to react in an emergency.
- Keep your hands and feet away from all moving parts such as masts, chains, forks or wheels.
- Never stand on or under the forks, or allow anyone else to stand on or under them. Never ride on the stacker or allow anyone else to ride. There is no safe place to sit or stand.
- Before you leave your stacker, be sure to lower the forks to the floor. Shut the stacker off with the key.

### **WARNINGS**

- DO NOT** use this stacker until you have been trained and authorized to do so.
- DO NOT** operate until you have read all warnings and instructions.
- DO NOT** exceed load center or load weight capacities (check capacity plate).
- DO NOT** operate until you have checked the conditions of the stacker: lift systems, forks, chains, and cables.
- DO NOT** use if any part is damaged, worn or not working properly.
- DO NOT** use on ramps or inclines. Only smooth level surfaces.
- DO NOT** use for lifting or carrying people.
- DO NOT** handle unbalanced, unstable or loosely stacked loads.
- DO NOT** travel with forks or platform in an elevated position.
- DO NOT** handle tall, unsecured or unstable loads that could fall.
- DO NOT** allow people to stand or pass under forks or platform with or without load.
- DO NOT** operate when parts of anyone's body may be close to mast structure or any moving parts.
- DO NOT** drop loads on platform or forks.
- DO NOT** alter or modify this stacker in any way.

### **A. INSPECTION:**

Upon receipt of the stacker, inspect the equipment completely to determine if there is any shipping damage, and that the lift is complete. Presto tests and inspects every piece of equipment prior to shipment. If damage is apparent, a freight claim must be filed with the freight company. Do not use the stacker if there appears to be any damage. With the stacker in a lowered position, check the following:

- Check for signs of damage especially to the back cabinet that houses the battery, electrical/hydraulic power pack.
- Check all electrical and hydraulic connections for tightness.
- Remove back panel.
  1. Turn key switch to "OFF" position.
  2. Push in E-stop and unscrew the red knob,
  3. Lift off back panel. There is enough wire to the key switch to allow the panel to be set aside.
- Inspect for any bent or damaged parts.

### **B. REMOVING FROM PALLET**

Each of the Presto stackers is shipped out on a pallet or skid. Prior to removing the unit from the pallet or skid, remove all tie down straps and packaging. Visually inspect the unit as closely as possible.

With an overhead hoist or forklift, carefully pick up the unit taking into consideration the center of gravity of the unit. If you choose to pick the unit with an overhead hoist, use a nylon sling and hoist with a minimum of 2,000-lb. capacity. The nylon sling will not do any damage to the steel construction of stacker. Pick the unit up. On conventional masts use the top cross member of the lift. On narrow masts the cover must be removed to access lifting equipment. Be careful of the stacker swinging once fully lifted off the pallet or skid. Have all personnel completely cleared from the area. Pick the unit up approximately six inches above the pallet or skid. Once raised, remove the pallet or skid from below the lift. Do not move the lift around in the air. Lower the stacker on the ground.

### **C. PREPARATION FOR USE**

This stacker left our factory in new condition. It has been inspected and weight tested to assure all performance standards have been met.

Visually inspect the stacker for damage. Check for attachments and accessories that may have been ordered. If there is any damage or missing parts, report it to your carrier and your Presto dealer immediately.

Remove all metal/plastic bands, cardboard and other material

used for shipping purposes.

Check to see if chains are in place, and that the lift system is in working order. Inspect for oil leaks.

See instructions for removing back panel on pg. 5.

Connect battery cable. Check cables and wires on battery charger as well as battery.

## **SECTION 4**

# **OPERATION**

### **A. OPERATING INSTRUCTIONS:**

#### **To Raise and Lower:**

There are two buttons located on both sides of the handle. The inside one is for raising the forks. The outside one is for lowering the forks. When operating, always make sure the load being lifted is within the loading capacity of your stacker and the load has been stacked safely on the pallet. Also, make sure that the length of the forks corresponds to the length of the pallet. In this way, the load rollers will place themselves in the opening at the end of the pallet, so that when you raise the forks, you will not break the bottom boards of the pallet. Always make sure that when entering the pallet that the forks are in the fully lowered position. Be careful when lifting pallets that are too short or too long for the stacker. It might destroy your pallet by breaking the bottom boards, and if the forks project through the end of the pallet, the tips of fork may go into the next pallet that is behind the pallet that you are lifting, which may bend the tips of forks and overload the capacity of the stacker.

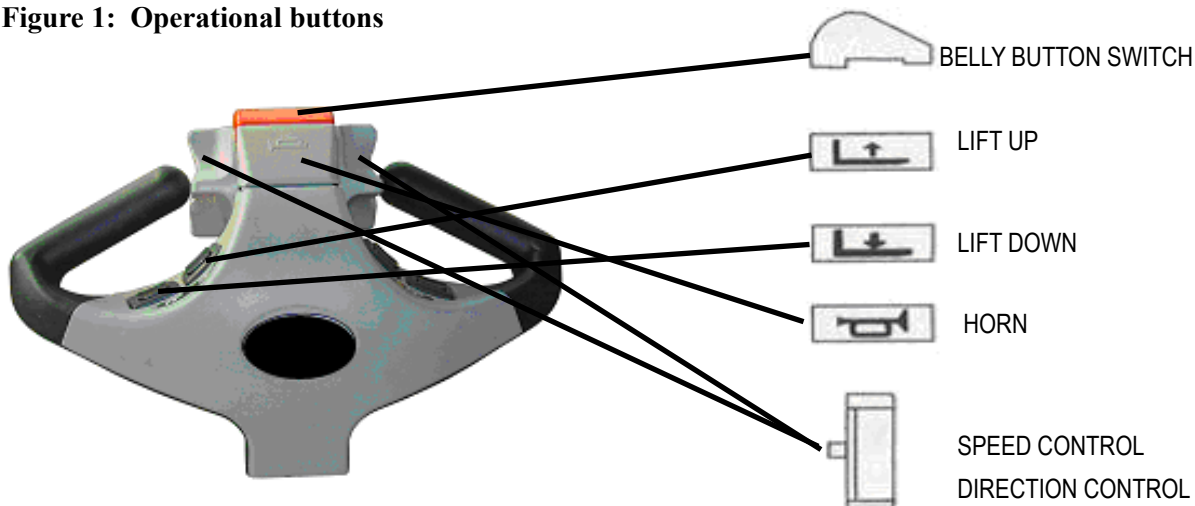
#### **To Travel:**

To travel, rotate the butterfly controls throttle on the upper part of the handle. When rotating the butterfly control CW towards the forks, the stacker runs forwards in the forks first direction. When rotating the butterfly CCW towards you, the stacker runs backwards in the handle first direction. Always make sure the stacker clears any obstruction when traveling, and that your path of travel is clear of people. Never carry loads above the loading capacity of the stacker. It is suggested that when traveling without a load, the forks be in the lowered position. The speed of the stacker is increased by the degree of the rotation in either direction; it functions like a throttle. When you release your hand from the butterfly control, it automatically will resume to the neutral position and the speed of the stacker will slow down.

#### **To Brake:**

Your stacker is equipped with a magnetic brake. The brake is applied when the handle is in its vertical position between 10 – 15 degrees and lowered position between 80 – 90 degrees. The brake could be released when you pull down the handle at any point between 15 – 80 degrees. Always make sure the brake is released before operating the stacker. When the stacker is running, you could brake the stacker by raising the handle to its vertical position or lowering the handle to its lowest position. Or, to turn the butterfly controls in the opposite direction, the change in direction of the motor will slow down, stop, and reverse the direction of stacker. **When parked**, always put the handle in the full vertical position with the brake applied and the forks in lowered position.

**Figure 1: Operational buttons**



### Reversing Safety:

At the end of the handle there is a large, red reversing bar (belly button switch) that is designed to protect the operator from injury. When the operator runs the stacker backwards, and the end of the handle comes in contact with the operator's body, the stacker will automatically reverse direction and travel away from the operator. When the reversing safety bar comes in contact with your body during operation, immediately release your hands from the butterfly control and put the handle up to its vertical position or down to its lowest position and the brake is on. The reversing safety bar will automatically resume to its original position after being activated.

### Horn:

As standard equipment, a horn that is located on the top of the handle.

**AUTHORIZED OPERATORS SHOULD READ AND UNDERSTAND ALL INSTRUCTIONS, PRECAUTIONS AND WARNINGS. IMPROPER USE OF THIS LIFT TRUCK COULD RESULT IN INJURY AND/OR DAMAGE TO LOAD AND EQUIPMENT.**

- Inspect the lift for damaged or worn parts. *Do not* use if not in safe operating condition.
- Use lift on hard level surfaces only.
- Make sure load is evenly distributed, not loose or unstable, and is as far back on platform or forks as possible. *Do not* pick up loads on tips or forks or edge of platform.
- *Do not* overload. Check load center and load weight capacities on the nameplate.
- Make sure travel and work area is clear of obstructions.
- Check overhead clearance before lifting loads or transporting.

## B. DAILY OPERATIONS MAINTENANCE CHECKS:

### 1. Battery

- A. Check for corroded and loose terminals. A white powder substance will be present if there is any existing corrosion.
- B. Visually inspect for any cracks or damage to the casing.
- C. Check for loose battery tie-downs.

### 2. Charger

- A. Inspect wire connections.
- B. Check power cord for nicks/damage.
- C. Check power charger for proper mounting.

### 3. Hydraulic System

- D. Inspect pump and cylinder for oil leaks.
- E. Check hydraulic oil level.
- F. Check hydraulic fittings and hoses.
- G. Check ram for nicks/damage.

### 4. Frame Assembly

- A. Check chain roller assembly connections.
- B. Check for any worn or damaged parts.

## Set up procedure for PowerStak

### Fixed Removable straddle legs

1. Install both legs into the leg cup holders evenly on both sides of the lift. Check to insure the ID of the legs does not exceed 50" and each leg should be inserted into the holder evenly.
2. Relieve any weight from the legs. This may need to be done one side at a time.
3. Adjust the legs and ensure both legs are positioned equally. Please refer to diagram below.

### Set up procedure for PowerStak Straddle legs with 4 Bolts



Figure 2:

### Straddle Leg Bolt Tightening Procedure

1. Pre-tighten all bolts to the bottom, but not too tight.
2. Fully tighten bolt 1.
3. Next, tighten bolt 3.
4. Next, tighten bolt 4.
5. Last, tighten bolt 2.
6. Tighten all bolts to 85 foot pounds.

**Note: The Power Stak is meant to operate on a non slip floor or surface. If traction is needed, Presto Lifts offers an optional rubber wheel or a non-marking wheel.**

**Note: The travel speed is preset at the factory. For travel speed adjustment, please contact customer service at Presto Lifts 1-800-343-9322**

## DAILY OPERATOR CHECK LIST

### CHARGE CONDITION/BATTERY CHECK LIST

1. Check Battery Discharge Indicator (Fuel Gage and Hour Meter) – Be sure unit is showing **proper Charge Level** before operating unit
2. Check to be sure **Charging Cord** is **Unplugged** and properly stowed before operating unit
3. Inspect Battery Wire Connections – All connections should be tight with **No Corrosion** (white powder) showing at the **Battery Terminals**
4. Inspect Battery Case – There should be **no cracks or visible damage** to the **Battery Case**

### WALK AROUND INSPECTION

1. Check general condition of Stacker (loose or broken parts, oil, dangling wires, dents, cracked covers etc.)
2. Check metal frame, mast, carriage and front load supports for cracked welds, worn or flat rollers, loose or disconnected chains, loose pins, missing snap rings, and loose or missing hardware – bolts, nuts washers etc.
3. Check for evidence of hydraulic leaks
4. Make sure all precautionary labeling is in place and legible

### FUNCTIONAL INSPECTION

1. Check Drive – Forward and Reverse Function
2. Check Lift – Up and Down Function
3. Check Function for Belly Button Reverse
4. Check Horn Function
5. Check Brake Function

OPERATOR ID \_\_\_\_\_ DATE \_\_\_\_\_

**DO NOT USE OR OPERATE STACKER IF ANY FUNCTION IS NOT OPERATING PROPERLY OR IF STACKER APPEARS UNSAFE IN ANYWAY**

**REPORT CONCERNS TO SUPERVISOR IMMEDIATELY!**

## SECTION 5

# BATTERY MAINTENANCE

### A. PREPARING TO CHARGE A BATTERY

1. Always turn off E-stop and key switch before working with the batteries.
2. Be sure the area around the stacker and the battery is well ventilated while battery is being charged.
3. The battery terminals, connections and wiring connections should be clean and free of corrosion. When cleaning any of these components wear a face shield or other suitable protective eyewear.

### B. BATTERY CHARGING

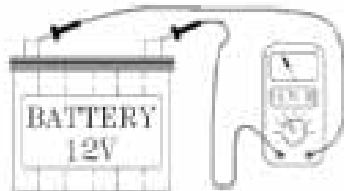
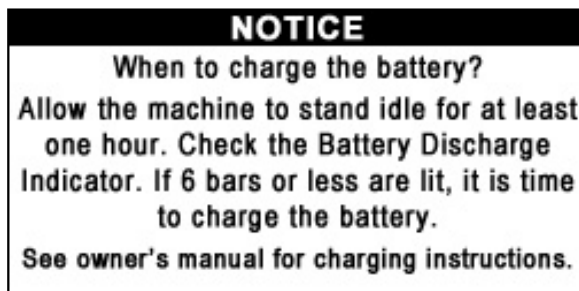
Charging must be performed with the charger that is provided with or prewired into the machine. During charging, the temperature in the battery must not exceed 120 F. Charging simultaneously with truck operation is not recommended. Plug the charger into a 115V outlet. Charge until the battery gauge indicator lights show fully charged (approximately 6-8 hours).

### C. WARNINGS AND BATTERY INFORMATION

Avoid use of open flame near batteries. At temperatures around freezing point, battery capacity is reduced by 30%. The battery terminals, connections and wiring should be clean and free of corrosion. When cleaning any of these components, wear a face shield or other suitable protective eyewear. Read, understand, and follow all battery and battery manufacturer's specific precautions while working with and/or charging batteries.

### D. BATTERY MAINTENANCE

To measure the voltage, use a digital voltmeter (DC) on the battery poles. The truck must not have been in use for the previous 30 minutes.



### VOLTAGE

- Approx. 12.7 V..... Fully charged
- Approx. 12.2 V..... 1/2 charged
- Approx. 12.0 V..... 1/4 charged
- Approx. 11.6 V..... Discharged

Never alter the AC cord or plug provided. If it will not fit outlet, have proper outlet installed by a qualified electrician. Improper connection can result in a risk of an electric shock.

1. Disconnect the charger from the 110 volt wall outlet once the indicators read fully charged.

**Note: The batteries are designed for intermittent use. Continual usage will wear the battery out and charging will be required.**

### E. CHARGER OPERATION

#### Power Lamp

1. Green: Connection correct. Charger will operate normally.
2. Red: Bad connection or bad battery.

#### Fault

1. Red light blinks 3 times in 5 seconds: The output between charger is faulty, loose, or bad connection
2. Red light blinks 5 times in 5 seconds: The temperature is too hot for the charger to operate.
3. Building power is not compatible; too low or too high. +/- 10% is the general rule.

#### Charge Lamp

1. Red: Charger can charge normally. The battery is less than 70%
2. Orange: Battery is between 70% and 100% charged.
3. Green: Battery is at 100%. Fully charged.
4. No light: The charger can not charge the battery. Voltage of the battery may be too low to cause the charger to start. It must be at 9 volts to initiate charge.

## SECTION 6

# MAINTENANCE

Operation of Presto Power Stak is very simple — as is their construction. They require very little maintenance. Reasonable care will result in excellent trouble-free performance. The Power Stak is designed for one-man operation and ease of performance.

- Grease floor wheels and casters at least once a month.
- Use only Hydraulic Oil AW32 or Dextron III in the hydraulic system.
- Do not overload your lift.
- Check brakes, steering mechanisms and controls before each use.

## A. WEEKLY OPERATIONS

### MAINTENANCE CHECKS:

1. **DAMAGE:** Check for bent, dented, worn or broken parts.
2. **LIFT SYSTEM:** Check to assure that there is no binding or excessive play in the forks. Check for quiet and smooth operation of the lift cylinder. Check all moving parts and linkage.
3. **LEAKS:** Check hydraulic system for leaks and hydraulic oil level.
4. **WHEELS AND CASTERS:** Check for wear and that they are turning smoothly.
5. **LIFT CHAINS:** Check to see that they are in place and not loose.
6. **FORKS:** Check that they are not bent or cracked.
7. **BRAKES:** Ensure brakes work properly.
8. **CABLES; WIRES:** Check that there are no loose cables or wires.
9. **LABELS:** Ensure all precautionary labels and guards are in place.

## B. MONTHLY OPERATIONS

### MAINTENANCE CHECKS:

1. **Battery (maintenance free)**
  - A. Clean terminals.
  - B. Clean battery compartment area if there are signs of corrosion.
2. **Hydraulic System**
  - A. Clean and inspect hydraulic cylinder.
  - B. Lubricate chain with a rust inhibitive lubricant (light machine oil).
  - C. Check chain tension. It should be even on both chains. The chain should be tight enough so that it does not come off of the roller assembly.
3. **Frame Assembly**
  - A. Clean and lubricate all roller bearings, cam followers and all moving parts.
  - B. Clean and inspect all welds.
  - C. Check wheels for wear and damage.
  - D. Inspect nameplate for legibility. Place the serial and model number shown on the nameplate on the cover of the manual for future reference.
4. **Electrical**
  - A. Check batteries, motors, controllers, limit switches, electrical conductors and connections.

### CAUTION:

**DO NOT USE LIFT IF IT IS NOT OPERATING PROPERLY, OR APPEARS UNSAFE IN ANY WAY!**

## SECTION 7

# TROUBLESHOOTING

**Before starting the troubleshooting, you have to:**

- A. Put the truck on an even and solid surface.
- B. Turn off key switch or disconnect the battery terminals.

### 1. Unit will not lift (motor does not run)

- Faulty wiring from fuse to lift switch in handle
- Faulty lift switch
- Faulty wiring from battery positive terminal to pump contactor to pump motor
- Burned out brushes in pump motor
- Low hydraulic pressure caused by:
  - Pressure relief valve needs adjustment
  - Pump check valve stuck open
  - Faulty solenoid valve
- Faulty wiring from lift switch to solenoid
- Faulty lift contactor
- Defective control circuit fuse
- Chain or roller bound
- Check oil level

### 2. Forks will not lower

- Look for binding in chains or rollers

### 3. No electrical power

Dead Batteries:

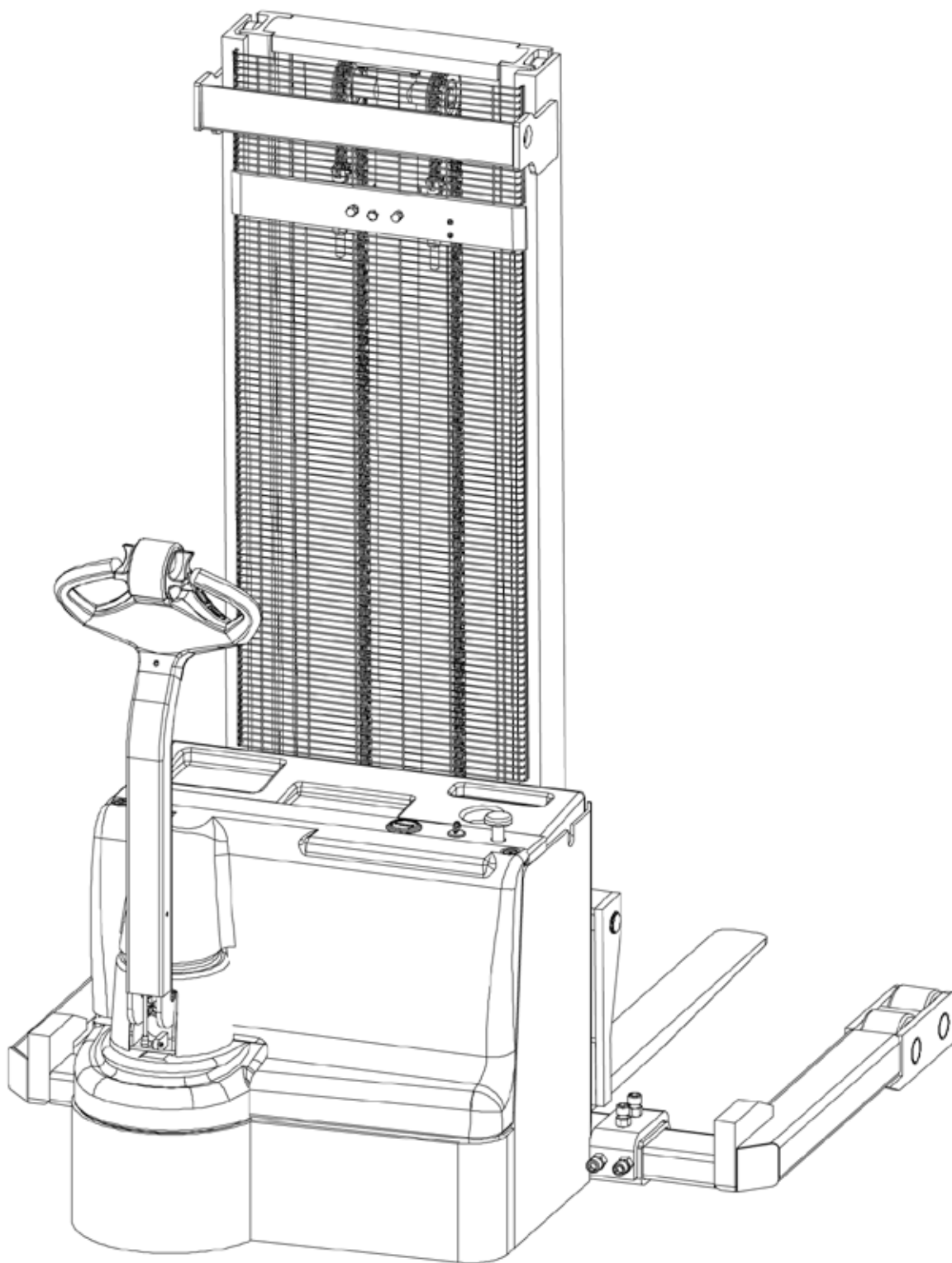
- Key switch on "OFF" position
- E-stop button depressed
- Loose or dirty battery connections
- Blown fuse(s)
- Faulty wiring from fuse to travel control switch
- Faulty control switch
- Faulty wiring from travel control switch direction contactor
- Faulty contactor

### 4. No Traction

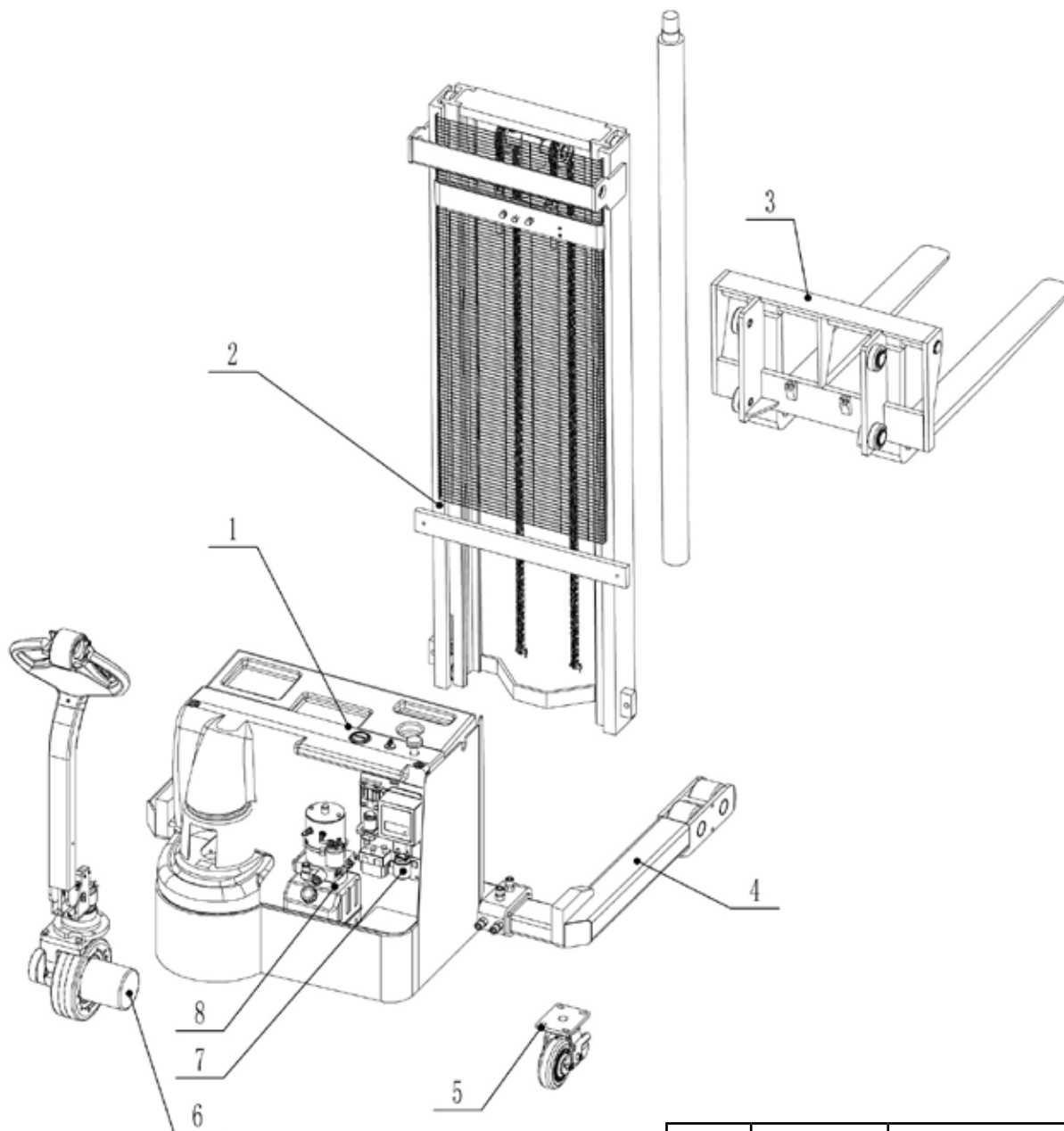
- Check to insure base legs are torqued properly.

Figure 3:

PPS3000-125FS

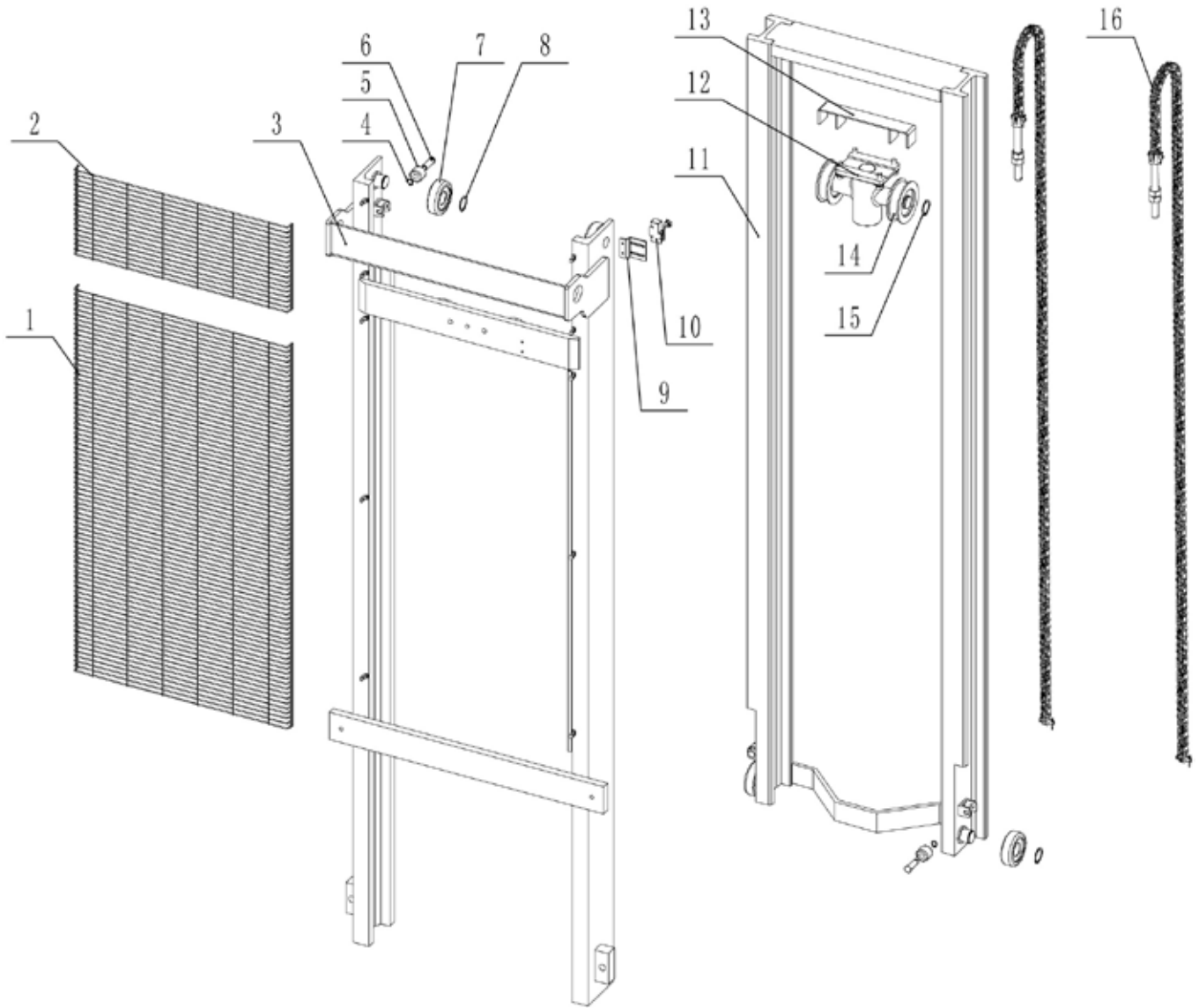


**Figure 4: PPS3000-125FS Exploded View**



Item	Parts No.	Description	Qty
1	1000	Body weld	1
2	2000	Mast assembly	1
3	3000	Lift mechanism	1
4	4000	Fork assembly	1
5	5000	Balance wheel	1
6	7000	Gear assembly	1
7	8000	Electric system	1
8	9000	Power unit	1

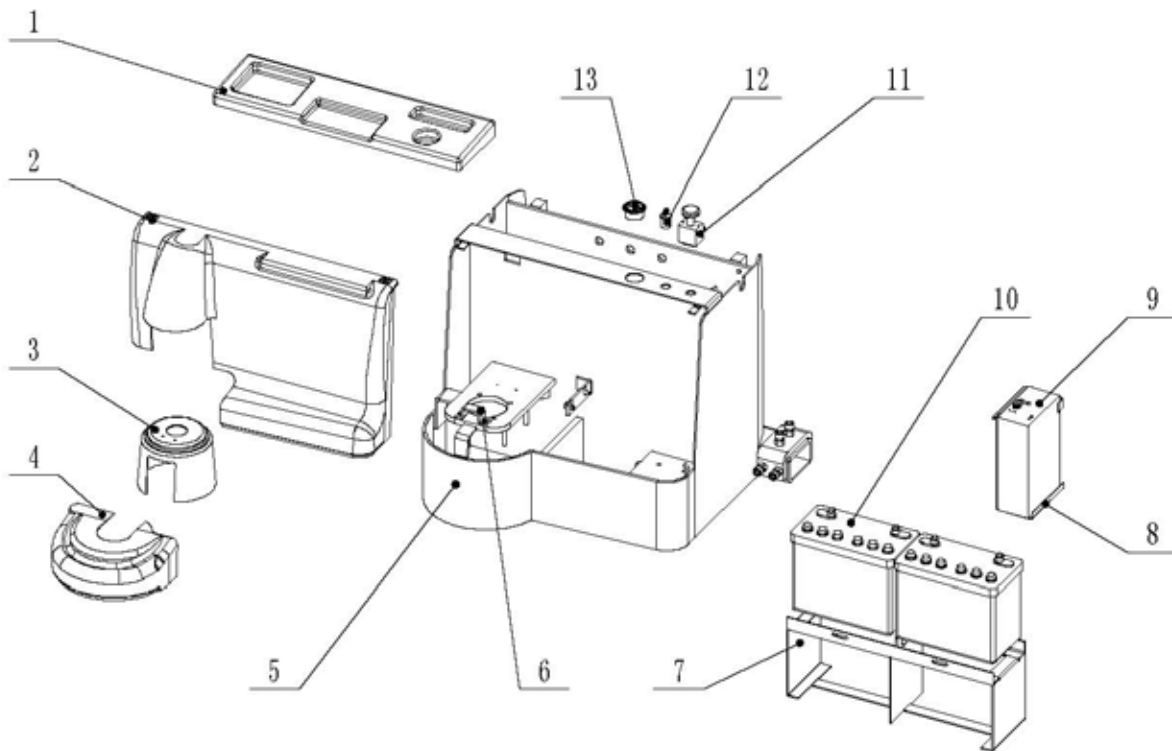
**Figure 5: PPS3000-125FS Mast Assembly**



Item	Parts No.	Description	Qty
1	2101	Top safety net	1
2	2102	Middle safety net	1
3	2200	Mast weldment Outer	1
4	2201	Snap ring Ø12 MM	4
5	2202	Guide roller	4
6	2203	Guide roller shaft	4
7	2204	Roller bearing 30706V	4
8	2205	Snap ring Ø30 MM	1

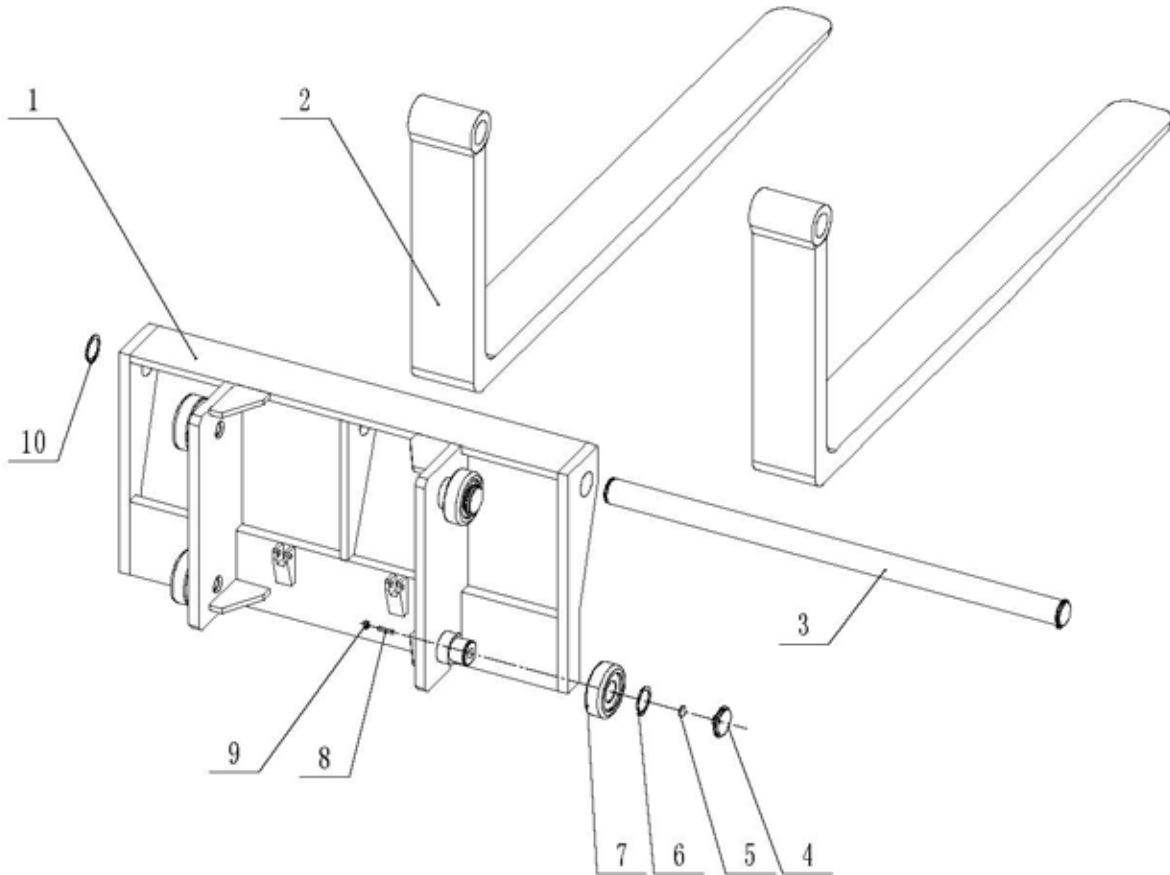
Item	Parts No.	Description	Qty
9	2103	Limit switch holder	1
10	2104	Limit switch TM1703	1
11	2300	Inner mast	1
12	1505	Chain wheel frame	1
13	1504	Chain wheel protective assembly	1
14	1503	Chain wheel bearing 78060V	1
15	1502	Snap ring Ø30 MM	2
16	1501	Chain LH1223	2

**Figure 6: PPS3000-125FS Cabinet Assembly**



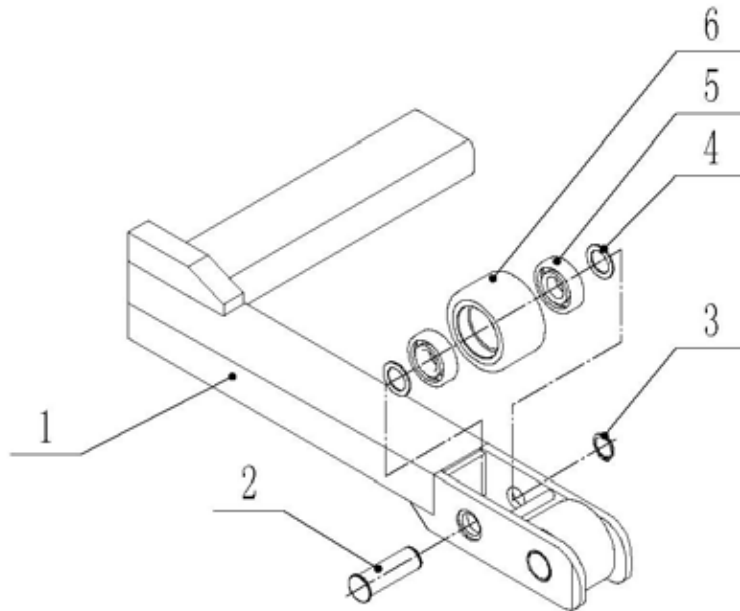
Item	Parts No.	Description	Qty
1	1101	Battery box cover	1
2	1102	Rear box cover	1
3	1103	Steering shaft-cap	1
4	1104	Driving wheel cover	1
5	1201	Rear box	1
6	1202	Cover holder	1
7	1203	Battery holder	1
8	1204	Charger holder	1
9	1301	Charger	1
10	1302	Battery	2
11	1303	Main switch	1
12	1304	Key switch	1
13	1305	Battery meter	1

**Figure 7: PPS3000-125FS Carriage Assembly**



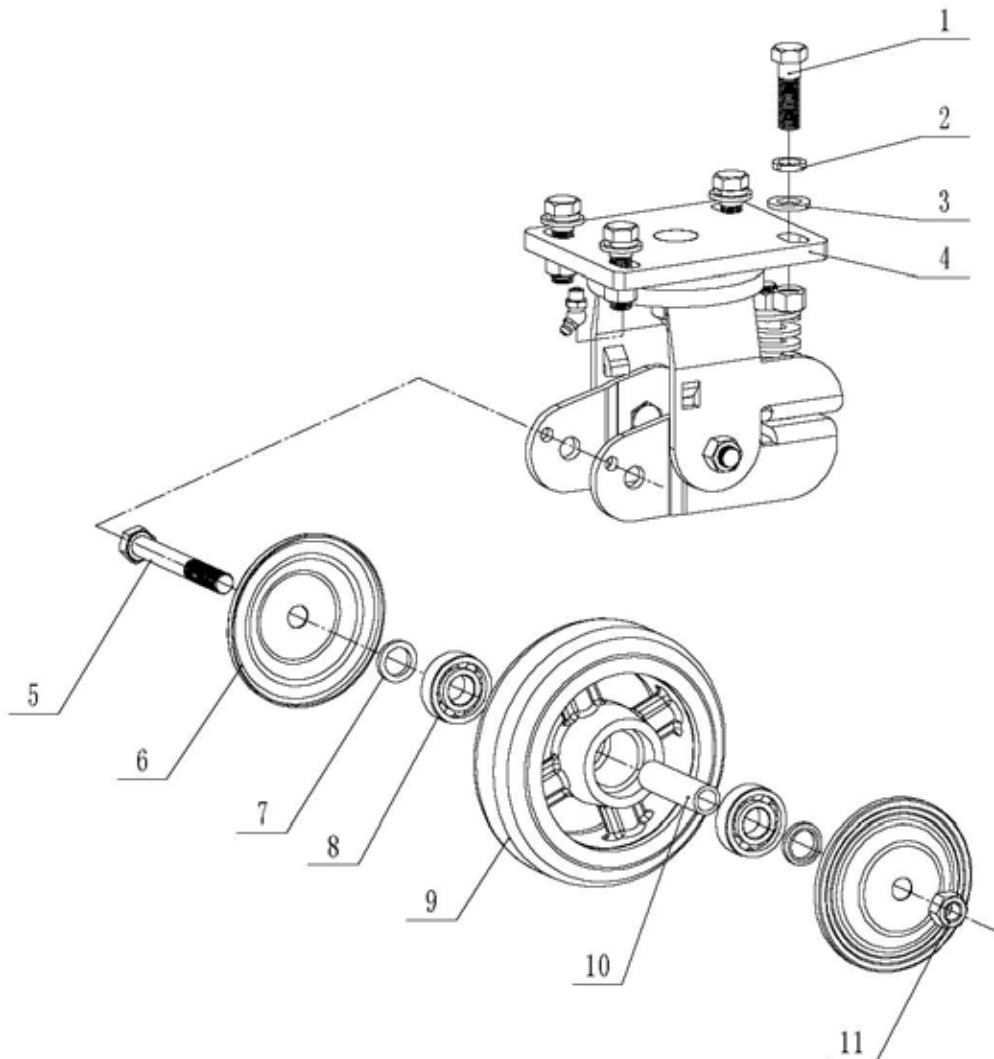
Item	Parts No.	Description	Qty
1	3100	Lift frame	1
2	3200	Forged fork	2
3	3301	Fork shaft	1
4	3401	Idler wheel block	4
5	3402	Washer	4
6	3403	Snap ring Ø30 MM	4
7	3404	Roller bearing 30706V	4
8	3405	Bolt	4
9	3406	Nut	4
10	3302	Snap ring Ø35 MM	2

**Figure 8: PPS3000-125FS Leg Assembly**



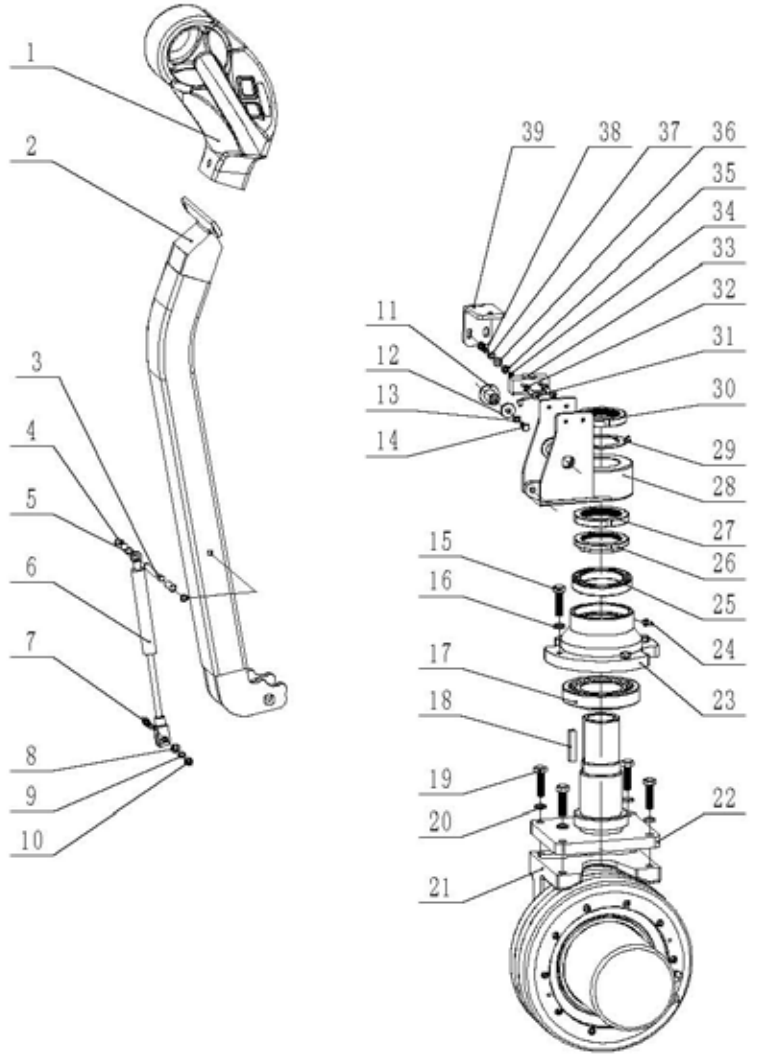
Item	Parts No.	Description	Qty
1	4101	Leg assy	1
2	4102	Front wheel shaft	2
3	4103	Snap ring Ø35 MM	2
4	4201	Washer	4
5	4202	Ball bearing 6307	4
6	4203	Front wheel	2

**Figure 9: PPS3000-125FS Caster Wheel Assembly**



Item	Parts No.	Description	Qty
1	5101	Bolt M12X40	4
2	5102	Spring washer 12 MM	4
3	5103	Flat washer 12 MM	4
4	5104	Rear wheel frame	1
5	5201	Bolt M12X90	1
6	5202	Rear wheel side cover	2
7	5203	Snap ring	2
8	5204	Ball bearing 6203	2
9	5205	Wheel Ø150 MM	1
10	5206	Sleeve	1
11	5207	Nut M12	1

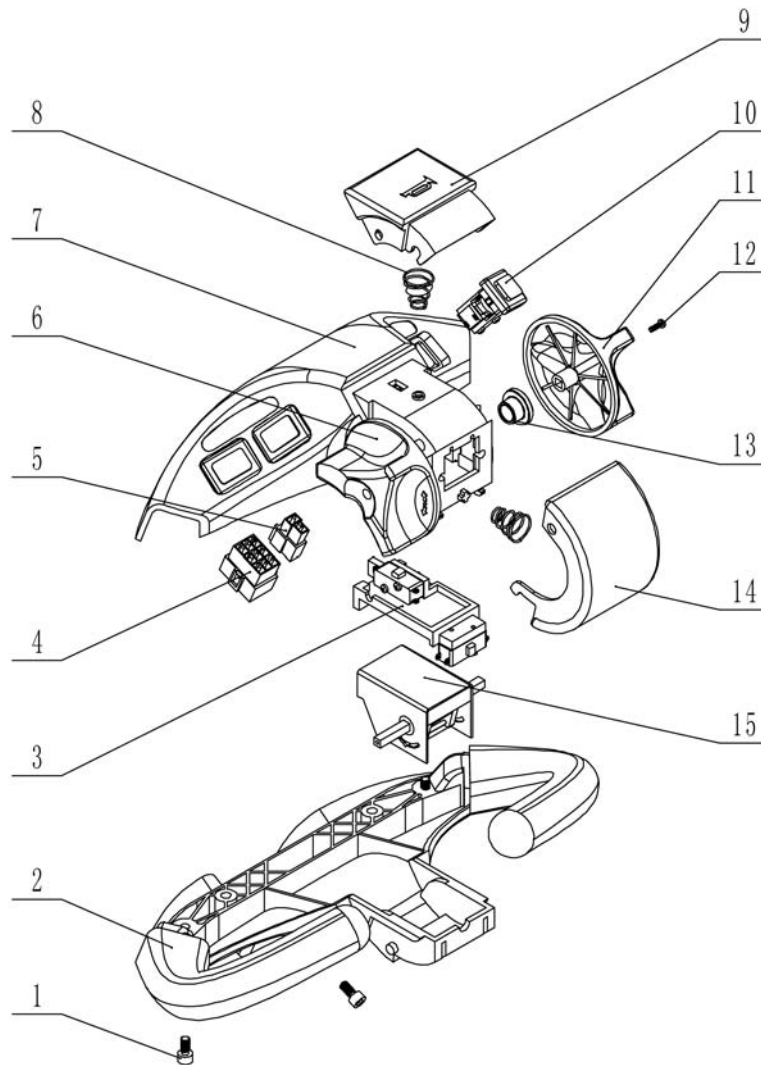
**Figure 10: PPS3000-125FS Steering Assembly**



Item	Parts No.	Description	Qty
1	7100	Handle CH-2	1
2	7001	Handle pipe weld	1
3	7004	Pin	1
4	7002	Snap ring Ø8 MM	1
5	7003	Holder	2
6	7005	Air spring	1
7	7006	Bolt	1
8	7007	Flat washer	2
9	7008	Spring washer	1
10	7009	Lock nut	1

Item	Parts No.	Description	Qty
11	7026	Short screw	2
12	7010	Washer	2
13	7011	Spring washer	2
14	7012	Bolt M6X12	2
15	7013	Bolt M10X30	4
16	7014	Spring washer	4
17	7015	Bearing 33013	1
18	7036	A-flat key 8X45 MM	1
19	7016	Bolt M10X30	4
20	7017	Spring washer Ø10 MM	4
21	7200	Drive wheel (1200W)	1
22	7037	Steering rod weld	1
23	7035	Drive wheel cover	1
24	7034	Grease zerck M8X1	1
25	7033	Ball bearing 61812	1
26	7032	Nut collar	1
27	7031	Round nut M56X2	1
28	7030	Handle base	1
29	7029	Round nut stop washer Ø52 MM	1
30	7028	Round nut M52X1.5	1
31	7027	Bolt M4X25	2
32	7025	Flat washer Ø4 MM	2
33	7024	Limit switch TM1703	1
34	7023	Nut M4	2
35	7022	Nut M6	2
36	7021	Flat washer Ø6 MM	2
37	7020	Spring washer Ø6 MM	2
38	7019	Bolt M6X25	2
39	7018	Cover holder	1

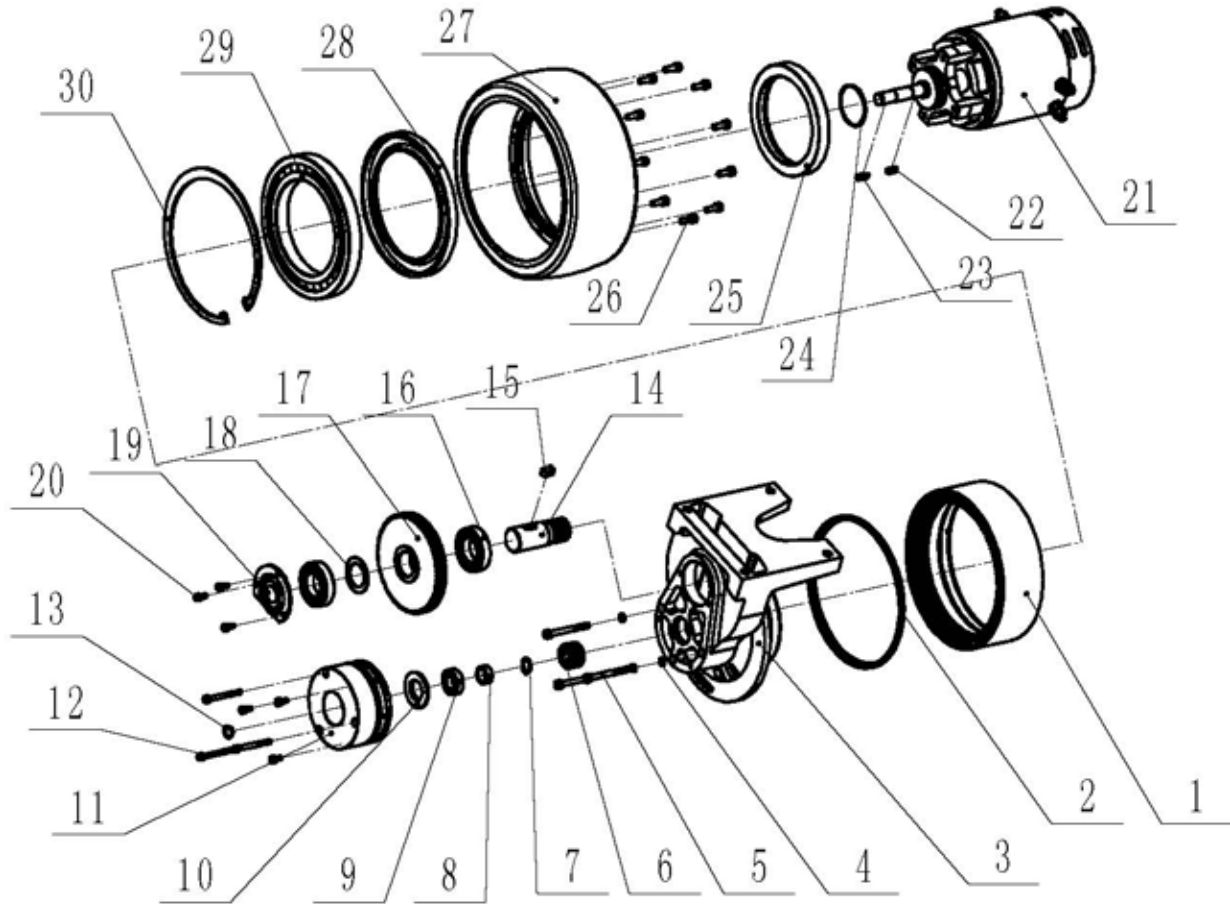
**Figure 11: PPS3000-125FS Handle Assembly**



Item	Parts No.	Description	Qty
1	7101	Bolt M6-12	3
2	7102	Handle bottom cover	1
3	7103	Front button	1
4	7104	Electrical outlet (big)	1
5	7105	Electrical outlet (small)	1
6	7106	Left handle cover	1
7	7107	Handle top cover	1
8	7108	Spring	2

Item	Parts No.	Description	Qty
9	7109	Horn button	1
10	7110	Button group	1
11	7111	Right handle cover	1
12	7112	Screw M3X10	2
13	7113	Washer	2
14	7114	Switch cover F/R	1
15	7115	Forward/backward button	1

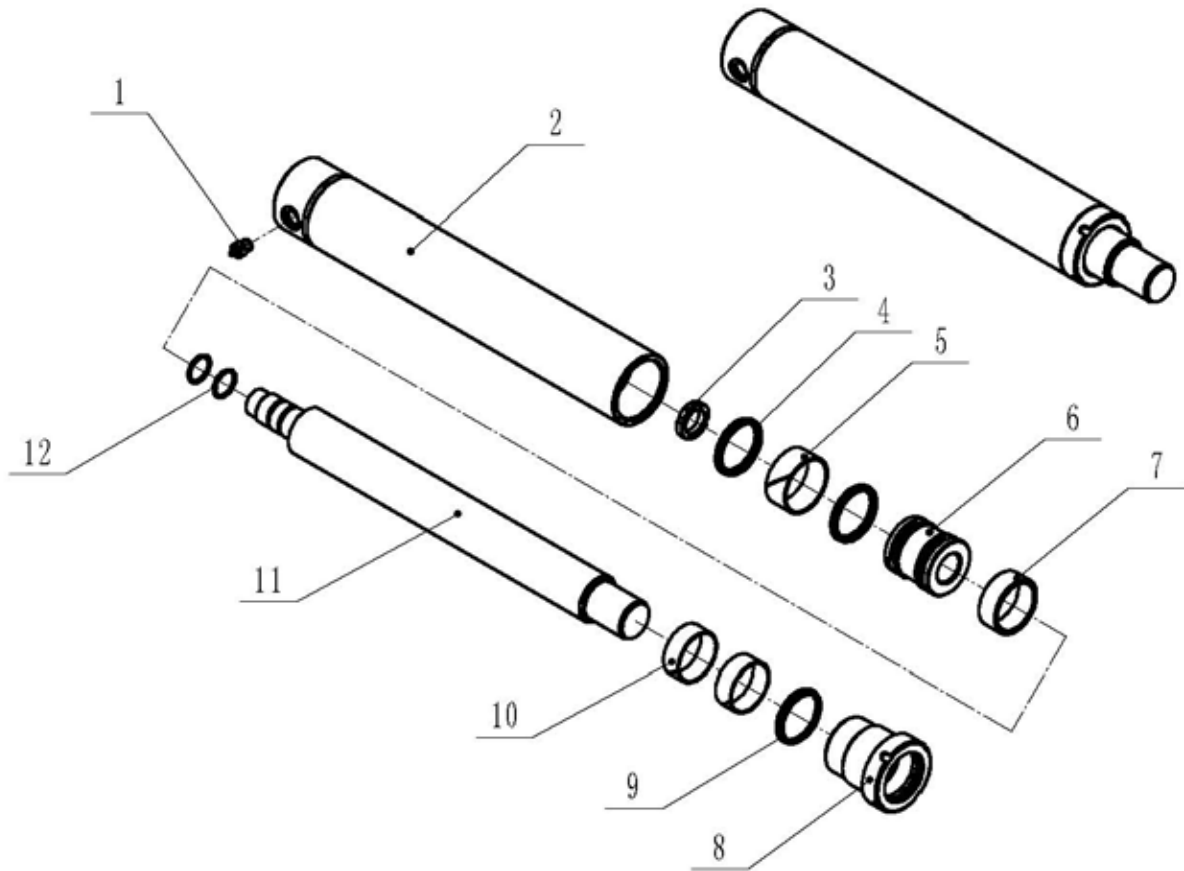
**Figure 12: PPS3000-125FS Drive Wheel Assembly**



Item	Parts No.	Description	Qty
1	7201	Gear	1
2	7202	Seal	1
3	7203	Gear box	1
4	7204	Spring washer 6 MM	3
5	7205	Screw M6X60	3
6	7206	Gear (2)	1
7	7207	Snap ring Ø15	1
8	7208	Washer	1
9	7209	Ball bearing 6002-2LS/P6	1
10	7210	Ring	1
11	7211	Break S0B-08-2	1
12	7212	Screw M5X50	3
13	7213	Spring washer Ø14 MM	1
14	7214	Gear Axle	1
15	7215	Key 8X7X18	1

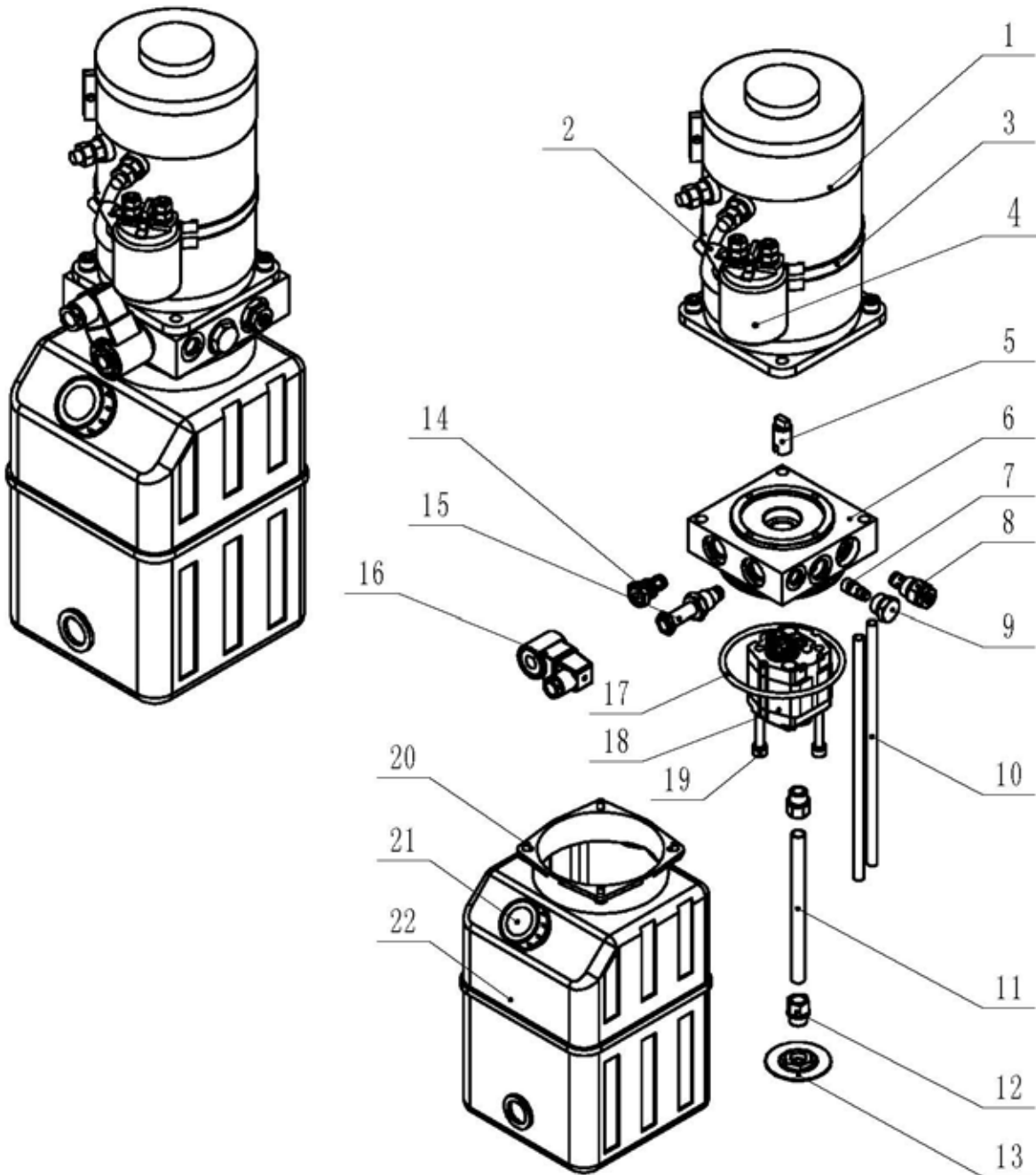
Item	Parts No.	Description	Qty
16	7216	Ball Bearing 6006	2
17	7217	Gear (2)	1
18	7218	Seal	1
19	7219	Bearing cover	1
20	7220	Screw M5X12	3
21	7221	DC Motor (DC24V 1.2KW)	1
22	7222	Key 5X5X16 MM	1
23	7223	Key 5X5X18 MM	1
24	7224	O Seal Ø48.7 x Ø2.65 MM	1
25	7225	Washer	1
26	7226	Screw M6X16	10
27	7227	Wheel Ø250X100 MM	1
28	7228	Oil seal Ø140XØ180X12 MM	1
29	7229	Ball bearing 61926	1
30	7230	O ring 180 MM	1

**Figure 13: PPS3000-125FS Cylinder Assembly**



Item	Parts No.	Description	Qty
1	8201	Hose burst check valve, 9/16-18 UNF	1
2	8202	Bore, Ø75/Ø60 MM	1
3	8203	Nut, M27x1.5, GB/T 810-1988	1
4	8204	U-CUPS Seals, SUMPS 50x60x6 MM	2
5	8205	PTFE-Ring, Ø60/Ø55/25 MM	1
6	8206	Piston	1
7	8207	Spacer	1
8	8208	Guide bush	1
9	8209	Wiper seals, SFMHW 45/53/5/6.5 MM	1
10	8210	PTFE-Ring, Ø49/Ø45/20 MM	2
11	8211	Hard chromed rod, Ø45 MM	1
12	8212	O-Ring, Ø25x2.65 MM, GB/T 3452.1-2005	2

Figure 14: PPS3000-125FS Power Unit Assembly



Item	Parts No.	Description	Qty
1	8101	Motor, DC24V, 3.0kw, CW	1
2	8102	Cable, motor-solenoid connecting	1
3	8103	Clamp	1
4	8104	Switch, DC24V	1
5	8105	Shaft	1
6	8106	Block, 127x127 MM	1
7	8107	Flow control valve	1
8	8108	Relief valve	1
9	8109	Plug	1
10	8110	Tube, Ø10 MM, return	2
11	8111	Tube, suction	1

Item	Parts No.	Description	Qty
12	8112	Fitting, G3/8-19	2
13	8113	Filter	1
14	8114	Check valve	1
15	8115	Solenoid valve	1
16	8116	Coil, DC24V	1
17	8117	O-Ring, Ø103x5.7 MM	1
18	8118	Pump, 2.7cc/r, CCW	1
19	8119	Screw, M8	2
20	8120	Screw, M6	4
21	8121	Plug, Breather-filler	1
22	8122	Reservoir, 5L	1

Figure 15: PPS3000-125FS Hydraulic Schematic

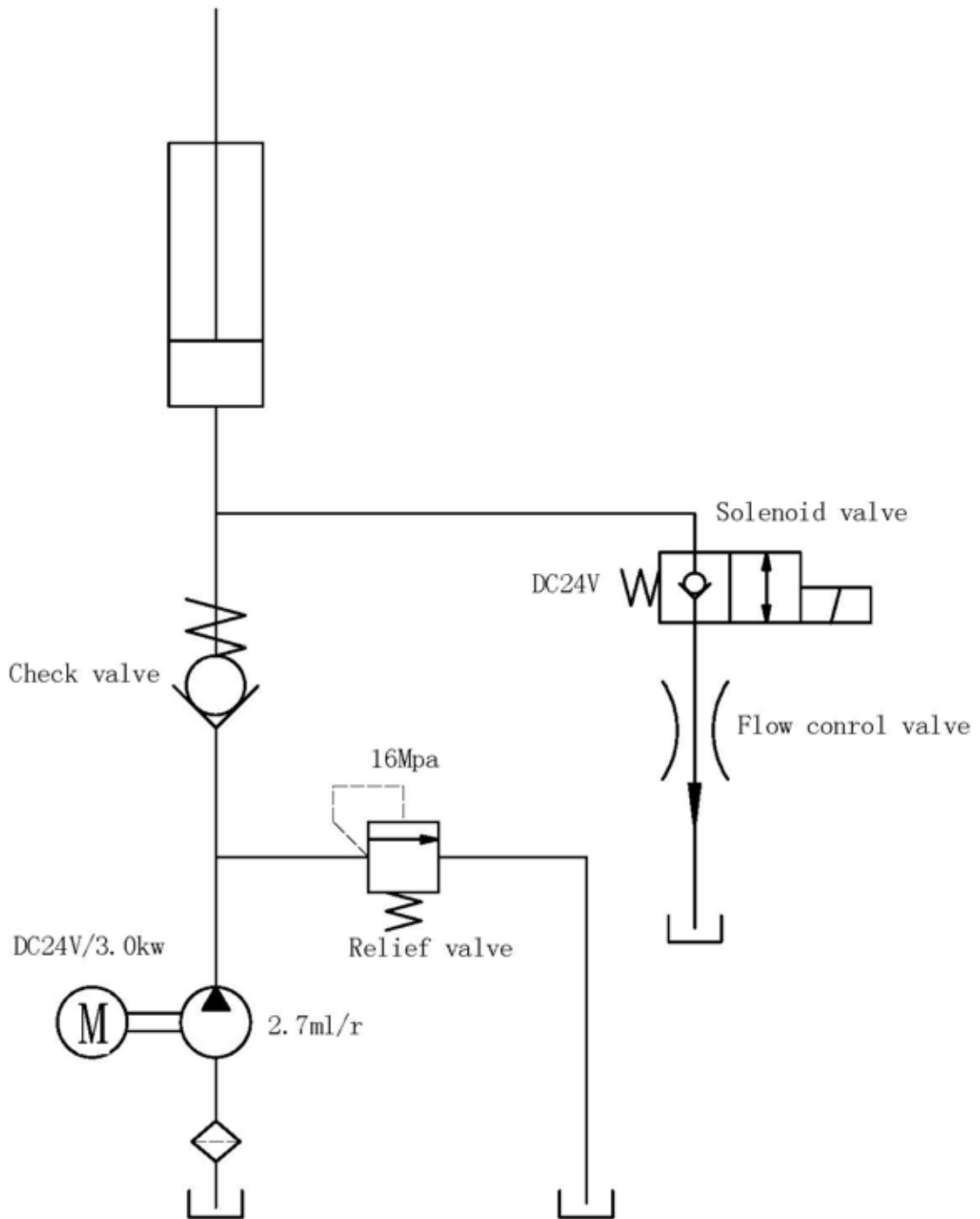
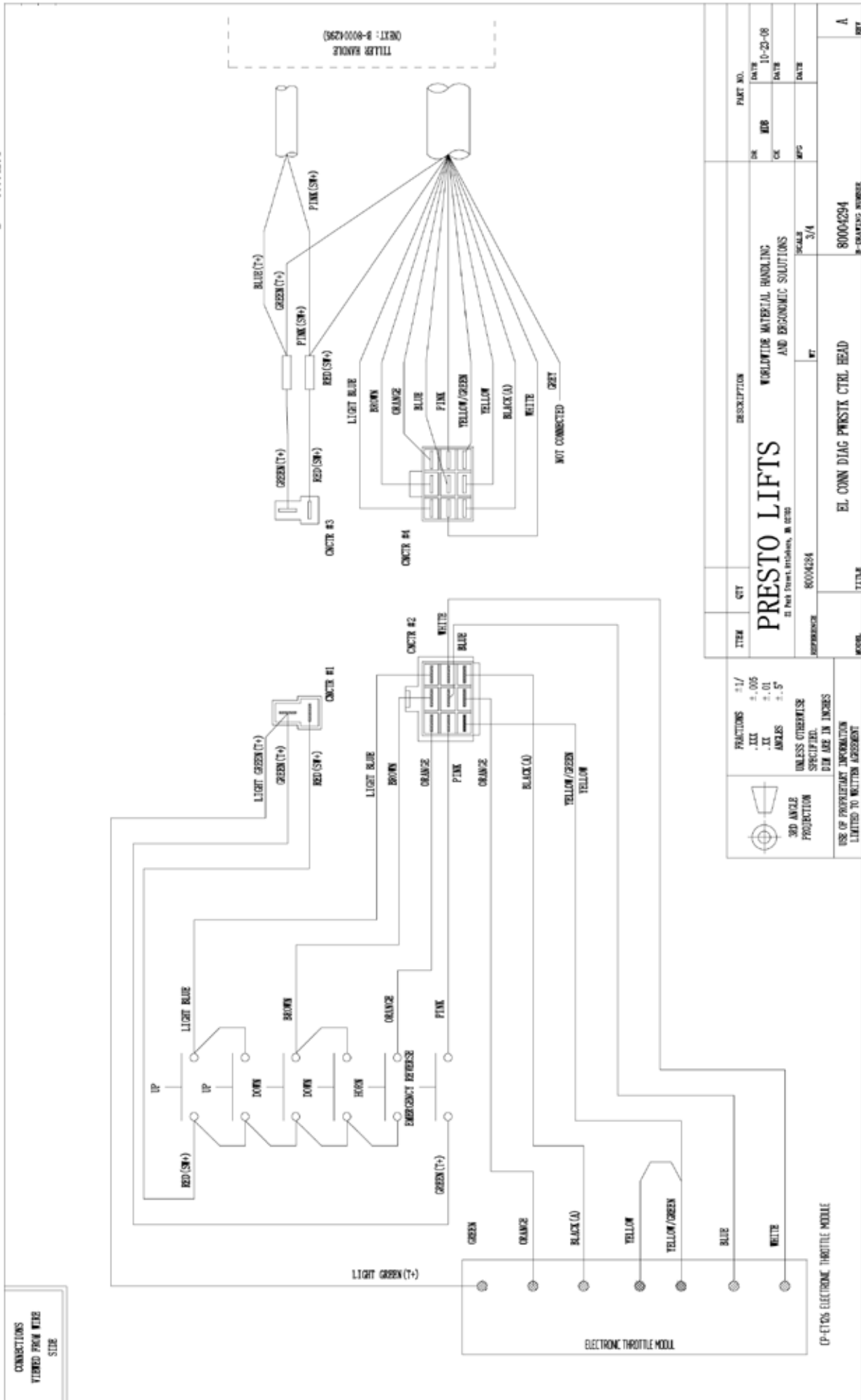




Figure 17:

B- 80004294



ITEM	QTY	DESCRIPTION	PART NO.
		WORLDWIDE MATERIAL HANDLING AND ERGONOMIC SOLUTIONS	
		PRESTO LIFTS	
		EL CONN DIAG PWSSTX CTRL HEAD	
REFERENCE	80004294	SCALE	3/4"
WORK.		TITLE	
		80004294	
		B-DRAWING NUMBER	
			A

<p>FRACTIONS ±1/</p> <p>ALL ±.005</p> <p>XX ±.01</p> <p>ANGLES ±.5°</p> <p>UNLESS OTHERWISE SPECIFIED, DIM ARE IN INCHES</p> <p>3RD ANGLE PROJECTION</p> <p>USE OF PROPRIETARY INFORMATION LIMITED TO WRITER'S AGREEMENT</p>
--

## **ORDERING REPLACEMENT PARTS**

Presto Lifts has carefully chosen the components in your unit to be the best available for the purpose. Replacement parts should be identical to the original equipment. Presto Lifts will not be responsible for equipment failures resulting from the use of incorrect replacement parts or from unauthorized modifications to the unit.

Presto Lifts can supply all replacement parts for your lift. With your order, please include the model number and the serial number of the unit. You can find these numbers on the name plate. This plate is located within the cabinet, or the angle iron cylinder cross support.

To order replacement parts, please call the Presto Parts Department. Parts are shipped subject to the following terms:

- FOB factory
- Returns only with the approval of our Parts Department.
- Credit cards preferred (except parts covered by warranty).
- Freight collect for truck (except parts covered by warranty).
- Freight - prepaid and invoice for small parcel shipments (except parts covered by warranty).

Parts replaced under warranty are on a "charge-credit" basis. We will invoice you when we ship the replacement part, then credit you when you return the worn or damaged part.

## **RESTOCKING POLICY**

### **PARTS**

Standard parts may be returned with a 20% restocking fee. Modified or custom-engineered parts are not returnable. Unfortunately, due to potentially concealed damage, all sales of electrical assemblies are final.

### **QUALITY ISSUES**

Should you feel there is a quality problem, please contact the seller to ask questions and gather information on how to rectify the issue. Presto Lift Inc. reserves the right to determine potential credits, as a result of factory defects, based on its inspection of the merchandise.

### **GENERAL**

All products shipped from our factory have passed Quality Assurance inspection and testing. The carrier of choice has signed for, and accepted the product in new working condition. The customer should inspect to ensure it is not received damaged, has no concealed damage or is not incomplete. Parts orders are determined to be complete based upon Presto Lift, Inc. inspection sheets and carrier shipping weights.

**Presto Lifts Parts Department**  
21 Park Street, Attleboro, MA 02703

Telephone: 800-343-9322  
FAX: 888-788-6496  
Email: [Service@PrestoLifts.com](mailto:Service@PrestoLifts.com)  
**[www.PrestoLifts.com](http://www.PrestoLifts.com)**

## **RETURN GOODS AUTHORIZATION POLICY**

Presto Lifts provides the Return Goods Authorization (RGA) Policy, for specific models, as a courtesy to our distributors in the event they do not receive what they ordered. If a customer wishes to return a Presto Lifts product, please contact the Customer Service Department and request an RGA number. This request must be made on or before the fifteenth calendar day following the date of Presto Lifts' invoice for the merchandise. Not all units are returnable. Quantity orders and special designs cannot be returned under any circumstances. Presto Customer Service reserves the right for final judgment on all product returns.

The RGA number must appear on the outside of any packaging material for a return to be accepted and processed by Presto Lifts. Customers shipping returns from the Continental US, Canada, or Mexico have thirty (30) days from date of RGA issue to have the product arrive at Presto Lifts' facility. All merchandise must arrive Free on Board at Presto Lifts' facility or the shipment will be refused and returned to the sender. All credits are issued less restocking and refurbishing charges, regardless if the merchandise was damaged in transit.

Return addresses: please refer to your RMA for the address to which your product should be returned.

Presto Lift Inc.  
715 Highway 77  
Manila, Arkansas 72442

Telephone: 800-343-9322  
Fax: 888-788-6496

MANY NEEDS REQUIRE MANY OPTIONS...

**Presto** LIFTS



LET PRESTO MEET THOSE NEEDS!

Call Presto Sales  
for stock or  
customized lift inquiries:  
**800-343-9322**

Email: [sales@prestolifts.com](mailto:sales@prestolifts.com)

